



Enclosures Cable Glands & Plug Accessories

2025-2026

CONTENTS

Plastic Box

Screw type

- 03 S Series
- 06 M Series

Hinge type

- 08 P Series
- 11 Q Series
- 13 D Series

Knock-out and Push Button

- 14 S Series K Type
- 15 Push Button Box

Plastic Terminal Block Box

- 17 Terminal Block Box
- 19 Terminal Block Box CG Series

Cable Glands, Plug & Accessories

- 35 Dual Door
- 37 Cable Glands, Plugs - PG Series
- 42 Nut, Washer, O-Ring - PG Series
- 43 Cable Glands, Plugs - Metric Series
- 47 Nut, Washer, O-Ring - Metric Series
- 48 Terminal Block, Jumper Bar
- 49 Accessories

Aluminum Box

Aluminum Terminal Block Box

- 21 Aluminum Terminal Block Box ALS Series
- 29 Aluminum Terminal Block Box AL Series

Aluminum Box

- 32 Aluminum S Box
- 33 Aluminum Box
- 34 Aluminum Push Button Box

■ Features of plastic material of BOXCO

1. Ultraviolet Stabilizer is added to protect the enclosures for outdoor usage. Few colour changes will be noticed even after a long time of use.
2. Anti-static material is used to protect sensitive electronic instruments from static electricity.
3. It is made of high impact resistant material which is very strong against external impact and also prevents breakage during hole and press processing.
4. Special spec can be added besides standard specification. We can supply optimized products with the spec and material you choose.

■ Flammability of BOXCO material

ABS (Grey Color) : 94-HB(standard)or 94-V-O (optional for terminal block series)

ABS (Grayish blue Color) : 94-5VB or 94-V-O

PC / ABS : 94-5VA

PC (Transparent) : 94-HB(standard)or 94-V-O (optional for terminal block series)

PC (Grey) : 94-V-O

■ Materials of BOXCO plastic products

Material can be changed for Quality improving

ABS : Acrylonitrile Butadiene Styrene

PC (Transparent) : Polycarbonate

PBT /PC : Polybutylene Terephthalate + Polycarbonate

PC/ABS : Polycarbonate + Acrylonitrile Butadiene Styrene

PC (Grey) : Polycarbonate or Polycarbonate + Glass Fiber

■ Plastic materials by model

BC-AGP , AGH, AGS, AGM : Cover(ABS), Base(ABS)

BC-PGP , PGH, PGS, PGM : Cover(PC/ABS), Base(PC/ABS)

BC-CGP , CGH, CGS, CGM : Cover(PC), Base(PC)

BC-ATP , ATH, ATS, ATM : Cover(PC), Base(ABS)

BC-PTP , PTH, PTS, PTM : Cover(PC), Base(PC/ABS)

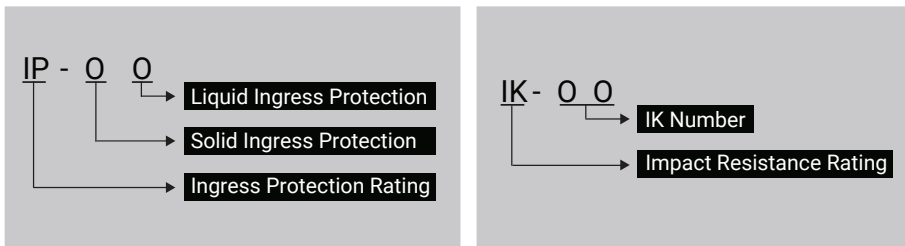
BC-CTP , CTH, CTS, CTM : Cover(PC), Base(PC)


























IP.IK BOXCO Ingress Protection Grade

IP 66/67, IK 07/08 protection plastic enclosure

IP 66/67, IK 09/10 protection aluminium enclosure



IEC (International Electrotechnical Commission) defines protection structure of electric instruments or protection boxes as follows

1	Protection against solid	2	Protection against liquid	IK Code	Protection against mechanical impact
IP	Test	IP	Test	IK	Test
0	 No protection	0	 No protection	0	 No Protection
1	 Protected against solid objects up to 50mm, e.g. accidental touch by hands.	1	 Protected against vertically falling drops of water e.g. condensation.	1-5	 Impact < 1 joule
2	 Protected against solid objects up to 12mm, e.g. fingers.	2	 Protected against direct sprays of water up to 15° from the vertical.	6	 500g 20cm Impact = 1 joule
3	 Protected against solid objects over 2.5mm (tools and wires).	3	 Protected against direct sprays of water up to 60° from the vertical.	7	 500g 40cm Impact = 2 joule
4	 Protected against solid objects over 1mm (tools, wires and small wires).	4	 Protected against water sprays from all directions-limited ingress permitted.	8	 1.7kg 29.5cm Impact = 5 joule
5	 Protected against dust limited ingress (no harmful deposit).	5	 Protected against low pressure jets of water from all directions-limited ingress.	9	 5kg 20cm Impact = 10 joule
6	 Totally protected against dust	6	 Protected against low pressure jets of water, e.g. for use on ship decks- limited ingress permitted.	10	 5kg 40cm Impact = 20 joule
		7	 Protected against the effect of immersion between 15cm and 1m for 30 minutes.		
		8	 Protected against long periods of immersion under pressure.		

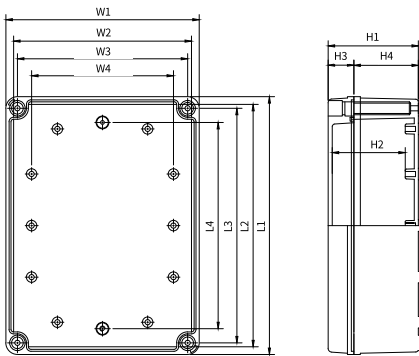
S Series

Feature

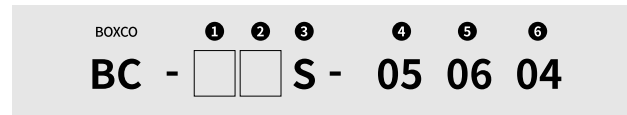
- Screw type, insert

Specification

- IP Rating | IP67
- IK Rating | IK08
- Temperature Range | ABS : -40°F ~ +158°F, PC : -40°F ~ +230°F
- Flammability Rating | ABS : 94-HB, PC : 94-V-0, 5VA, HB
- Certification | TUV, CE, UL



S Series model name



- ❶ Material - A : ABS C : PC
- ❷ Cover - G : Grey/ T : Transparent
- ❸ Type - Screw Cover
- ❹ Width(W)*
- ❺ Length(L)*
- ❻ Height(H)* - Cover Included



S Design

50x60x45 - 210x230x100mm



M Design

190x190x130 - 380x560x180mm

S Series - S Design

50x60x45 - 210x230x100mm



Product model					Mounting plate		
Model	Outside dimension			Inside dimension	Plastic		Steel
	Size (W1xL1xH1/mm)	Cover (H3/mm)	Base (H4/mm)	Size (W2xL2xH2/mm)	G-type	P-type	
BC-□□S-050604	50 x 65 x 45	15	30	42 x 57 x 33	-	-	0506 S
BC-□□S-050605	50 x 65 x 55	15	40	42 x 57 x 43	-	-	0506 S
BC-□□S-060905	65 x 95 x 55	15	40	55 x 85 x 41	-	-	0609 S
BC-□□S-071005	75 x 105 x 55	15	40	65 x 95 x 42	-	-	0710 S
BC-□□S-080806	80 x 80 x 60	15	45	70 x 70 x 47	-	-	0808 S
BC-□□S-081104	80 x 110 x 45	20	25	70 x 100 x 32	-	0811 P	0811 S
BC-□□S-081107	80 x 110 x 70	20	50	70 x 100 x 57	-	0811 P	0811 S
BC-□□S-081108	80 x 110 x 85	20	65	70 x 100 x 72	-	0811 P	0811 S
BC-□□S-081110	80 x 110 x 100	35	65	70 x 100 x 87	-	0811 P	0811 S
BC-□□S-081307	80 x 130 x 70	20	50	70 x 120 x 57	-	0813 P	0813 S
BC-□□S-081308	80 x 130 x 85	35	50	70 x 120 x 72	-	0813 P	0813 S
BC-□□S-081605	82 x 162 x 55	15	40	75 x 155 x 42	-	0816 P	0816 S
BC-□□S-081608	82 x 162 x 85	15	70	75 x 155 x 72	-	0816 P	0816S
BC-□□S-081807	80 x 180 x 70	20	50	69 x 169 x 57	-	0818 P	0818 S
BC-□□S-081808	80 x 180 x 85	35	50	69 x 169 x 72	-	0818 P	0818S
BC-□□S-082007	80 x 200 x 70	20	50	67 x 189 x 56	-	-	0820 S
BC-□□S-082507	80 x 250 x 70	20	50	67 x 235 x 56	-	0825 P	0825S
BC-□□S-082508	80 x 250 x 85	35	50	67 x 235 x 72	-	0825 P	0825 S
BC-□□S-101007	100 x 100 x 75	20	55	88 x 88 x 62	-	1010 P	1010 S
BC-□□S-101010	100 x 100 x 100	20	80	88 x 88 x 87	-	1010 P	1010 S
BC-□□S-101807	100 x 185 x 70	15	54	92 x 177 x 56	-	-	1018 S
BC-□□S-102007	100 x 200 x 70	15	54	89 x 189 x 56	-	1020 P	1020 S
BC-□□S-102307	100 x 230 x 70	15	54	89 x 219 x 56	-	-	1023 S
BC-□□S-121207	125 x 125 x 75	20	55	114 x 114 x 61	-	1212 P	1212 S
BC-□□S-121210	125 x 125 x 100	20	80	113 x 113 x 86	-	1212 P	1212 S
BC-□□S-121707	125 x 175 x 75	25	49	118 x 165 x 61	1217 G	1217 P	1217 S
BC-□□S-121710	125 x 175 x 100	50	49	118 x 165 x 86	1217 G	1217 P	1217 S
BC-□□S-141709	143 x 173 x 95	20	75	135 x 165 x 82	-	1417 P	1417 S
BC-□□S-142309	140 x 230 x 95	20	75	132 x 222 x 82	-	1423 P	1423 S
BC-□□S-151507	150 x 150 x 75	20	55	144 x 144 x 62	1515 G	1515 P	1515 S
BC-□□S-151510	150 x 150 x 100	20	80	144 x 144 x 87	1515 G	1515 P	1515 S
BC-□□S-152004	150 x 200 x 45	20	25	140 x 190 x 32	1520 G	1520 P	1520 S
BC-□□S-152007	150 x 200 x 75	20	55	138 x 188 x 62	1520 G	1520 P	1520 S
BC-□□S-152010	150 x 200 x 100	20	79	138 x 188 x 86	1520 G	1520 P	1520 S
BC-□□S-152013	150 x 200 x 130	20	110	138 x 188 x 116	1520 G	1520 P	1520 S
BC-□□S-152016	150 x 200 x 160	20	110	138 x 188 x 146	1520 G	1520 P	1520 S
BC-□□S-152510	150 x 250 x 100	20	80	138 x 238 x 87	1525 G	1525 P	1525 S
BC-□□S-152513	150 x 250 x 130	50	80	140 x 240 x 117	1525 G	1525 P	1525 S
BC-□□S-161607	160 x 160 x 70	15	54	151 x 151 x 56	-	1616 P	1616 S
BC-□□S-202010	200 x 200 x 100	20	80	188 x 188 x 87	2020 G	2020 P	2020 S
BC-□□S-202013	200 x 200 x 130	20	110	188 x 188 x 117	2020 G	2020 P	2020 S
BC-□□S-202016	200 x 200 x 160	20	140	188 x 188 x 147	2020 G	2020 P	2020 S
BC-□□S-202019	200 x 200 x 190	50	140	188 x 188 x 171	2020 G	2020 P	2020 S
BC-□□S-212310	210 x 230 x 100	20	80	197 x 217 x 87	-	-	2123 S

Accessories



Plastic mounting plate
(G Plate)



Plastic mounting plate
(P Plate)



Steel mounting plate
(S Plate)



Cover screw
(standard, CB20+)



Cover screw
(optional, CB20-)



Cover screw
(standard, CB35)



Cover screw
(standard, CB50)



SUS bracket (B40)
B40 : (Screw : TTS 5x10)



Plastic bracket (PB40)
PB40 : (Screw : TTS 5x12)



Vent(V60, V80)

S Series - M Design

190x190x130 -380x560x180mm



Product model					Mounting plate		
Model	Outside dimension			Inside dimension	Plastic		Steel
	Size (W1xL1xH1/mm)	Cover (H3/mm)	Base (H4/mm)		G-type	P-type	
BC-□□S-191913	190 x 190 x 130	30	98	165 x 165 x 114	-	1919 P	1919 S
BC-□□S-192810	190 x 280 x 100	30	68	165 x 255 x 84	1928 PG	1928 P	1928 S
BC-□□S-192813	190 x 280 x 130	30	98	165 x 256 x 112	1928 PG	1928 P	1928 S
BC-□□S-192818	190 x 280 x 180	30	148	168 x 258 x 162	1928 PG	1928 P	1928 S
BC-□□S-193813	190 x 380 x 130	30	98	165 x 355 x 114	-	1938 P	1938 S
BC-□□S-193818	190 x 380 x 180	30	148	165 x 355 x 164	-	1938 P	1938 S
BC-□□S-282813	280 x 280 x 130	30	100	255 x 255 x 114	-	2828 P	2828 S
BC-□□S-283413	280 x 340 x 130	30	98	256 x 314 x 112	-	2834 P	2834 S
BC-□□S-283813	280 x 380 x 130	30	98	254 x 354 x 111	2838 PG	2838 P	2838 S
BC-□□S-283818	280 x 380 x 180	30	148	255 x 355 x 162	2838 PG	2838 P	2838 S
BC-□□S-285613	280 x 560 x 130	30	98	255 x 535 x 112	-	-	2856 S
BC-□□S-334318	330 x 430 x 180	30	148	305 x 405 x 160	-	3343 P	3343 S
BC-□□S-385618	380 x 560 x 180	30	148	349 x 535 x 160	-	-	3856 S

Accessories



Plastic mounting plate (PG Plate)



Plastic mounting plate (P Plate)



Steel mounting plate (S Plate)



Cover screw (standard, CB28-)



Cover screw (optional, CB28+)



SUS bracket (B50)
B50:(Screw:TH M5x10)



Plastic bracket (PB50)
PB50:(Screw:TH M5x12)



Vent(V60, V80)

M Series

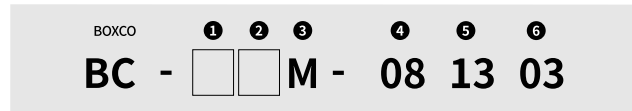
Feature

- Screw type with recessed cover
- For mounting membrane keypad

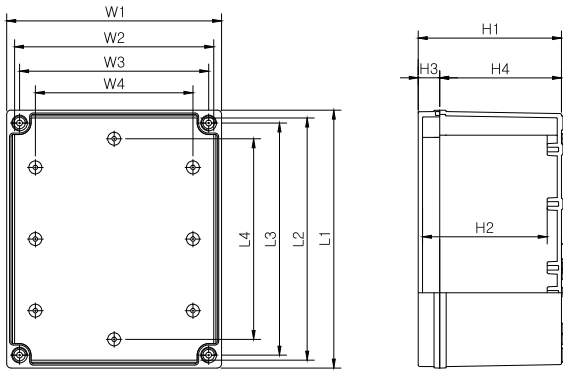
Specification

- IP Rating | IP67
- IK Rating | IK08
- Temperature Range | ABS : -40°F ~ +158°F
PC : -40°F ~ +230°F
- Flammability Rating | ABS : 94-HB, PC : 94-V-0, 5VA, HB
- Certification | TUV, CE, UL

M Series model name



- ① Material - A : ABS C : PC
- ② Cover - G : Grey / T : Transparent
- ③ Type - Screw Cover
- ④ Width(W)*
- ⑤ Length(L)*
- ⑥ Height(H)* - Cover Included



Product model				
Model	Outside dimension			Inside dimension
	Size (W1xL1xH1/mm)	Cover (H3/mm)	Base (H4/mm)	Size (W2xL2xH2/mm)
BC-□□M-081303	80 x 130 x 35	10	25	68 x 118 x 24
NEW BC-□□M-081304	80 x 130 x 40	10	30	68 x 118 x 29
NEW BC-□□M-081305	80 x 130 x 50	25	25	68 x 118 x 39
BC-□□M-081306	80 x 130 x 60	10	50	68 x 118 x 47
BC-□□M-081307	80 x 130 x 75	25	50	68 x 118 x 62
BC-□□M-081308	80 x 130 x 85	10	75	68 x 118 x 72
BC-□□M-081310	80 x 130 x 100	25	75	68 x 118 x 87
NEW BC-□□M-081311	80 x 130 x 110	35	75	68 x 118 x 96
BC-□□M-081312	80 x 130 x 125	35	90	68 x 118 x 112

Mounting plate		
Plastic		Steel
G-type	C-type	
-	0813 P	0813 M
-	0813 P	0813 M
-	0813 P	0813 M
-	0813 P	0813 M
-	0813 P	0813 M
-	0813 P	0813 M
-	0813 P	0813 M
-	0813 P	0813 M
-	0813 P	0813 M

NEW	BC-□□M-101003	100 x 100 x 35	10	25	90 x 90 x 24	-	-	-
NEW	BC-□□M-101005	100 x 100 x 50	25	25	90 x 90 x 39	-	-	-
NEW	BC-□□M-101006	100 x 100 x 60	10	50	90 x 90 x 47	-	-	-
NEW	BC-□□M-101007	100 x 100 x 75	25	50	90 x 90 x 62	-	-	-
	BC-□□M-131303	130 x 130 x 35	10	25	119 x 119 x 24	-	-	1313 M
NEW	BC-□□M-131305	130 x 130 x 50	25	25	119 x 119 x 39	-	-	1313 M
	BC-□□M-131306	130 x 130 x 60	10	50	119 x 119 x 47	-	-	1313 M
NEW	BC-□□M-131307	130 x 130 x 75	25	50	119 x 119 x 62	-	-	1313 M
NEW	BC-□□M-131308	130 x 130 x 85	10	75	119 x 119 x 72	-	-	1313 M
NEW	BC-□□M-131310	130 x 130 x 100	25	75	119 x 119 x 87	-	-	1313 M
NEW	BC-□□M-131311	130 x 130 x 110	10	100	119 x 119 x 96	-	-	1313 M
NEW	BC-□□M-131312	130 x 130 x 125	25	100	119 x 119 x 112	-	-	1313 M
	BC-□□M-131803	130 x 180 x 35	10	25	119 x 169 x 24	1217 G	1217 P	1318 M
NEW	BC-□□M-131805	130 x 180 x 50	25	25	119 x 169 x 37	1217 G	1217 P	1318 M
	BC-□□M-131806	130 x 180 x 60	10	50	119 x 169 x 47	1217 G	1217 P	1318 M
	BC-□□M-131807	130 x 180 x 75	25	50	119 x 169 x 62	1217 G	1217 P	1318 M
NEW	BC-□□M-131808	130 x 180 x 85	10	75	119 x 169 x 72	1217 G	1217 P	1318 M
NEW	BC-□□M-131810	130 x 180 x 100	25	75	119 x 169 x 87	1217 G	1217 P	1318 M
NEW	BC-□□M-131811	130 x 180 x 110	10	100	119 x 169 x 97	1217 G	1217 P	1318 M
NEW	BC-□□M-131812	130 x 180 x 125	25	100	119 x 169 x 112	1217 G	1217 P	1318 M
NEW	BC-□□M-131813	130 x 180 x 135	10	125	119 x 169 x 122	1217 G	1217 P	1318 M
NEW	BC-□□M-131815	130 x 180 x 150	25	125	119 x 169 x 137	1217 G	1217 P	1318 M
	BC-□□M-151806	150 x 180 x 60	10	50	139 x 169 x 47	-	-	1518 M
	BC-□□M-151807	150 x 180 x 75	25	50	139 x 169 x 60	-	-	1518 M
NEW	BC-□□M-181804	180 x 180 x 40	10	30	169 x 169 x 27	-	-	1818 M
NEW	BC-□□M-181805	180 x 180 x 55	25	30	169 x 169 x 41	-	-	1818 M
	BC-□□M-181806	180 x 180 x 60	10	50	169 x 169 x 47	-	-	1818 M
	BC-□□M-181807	180 x 180 x 75	25	50	169 x 169 x 62	-	-	1818 M
NEW	BC-□□M-181808	180 x 180 x 85	10	75	169 x 169 x 72	-	-	1818 M
	BC-□□M-181810	180 x 180 x 100	25	75	169 x 169 x 87	-	-	1818 M
NEW	BC-□□M-181811	180 x 180 x 110	10	100	169 x 169 x 97	-	-	1818 M
	BC-□□M-181812	180 x 180 x 125	25	100	169 x 169 x 112	-	-	1818 M
NEW	BC-□□M-181813	180 x 180 x 135	10	125	169 x 169 x 122	-	-	1818 M
NEW	BC-□□M-181815	180 x 180 x 150	25	125	169 x 169 x 137	-	-	1818 M
NEW	BC-□□M-181816	180 x 180 x 160	10	150	169 x 169 x 147	-	-	1818 M
NEW	BC-□□M-181817	180 x 180 x 175	25	150	169 x 169 x 161	-	-	1818 M
NEW	BC-□□M-182505	180 x 255 x 50	15	35	166 x 241 x 37	-	-	1825 M
NEW	BC-□□M-182506	180 x 255 x 65	15t	50	166 x 241 x 52	-	-	1825 M
	BC-□□M-182507	180 x 255 x 75	25	50	166 x 241 x 62	-	-	1825 M
NEW	BC-□□M-182509	180 x 255 x 90	15	75	166 x 241 x 77	-	-	1825 M
	BC-□□M-182510	180 x 255 x 100	25	75	166 x 241 x 87	-	-	1825 M
NEW	BC-□□M-182511	180 x 255 x 115	15	100	166 x 241 x 102	-	-	1825 M
	BC-□□M-182512	180 x 255 x 125	25	100	166 x 241 x 112	-	-	1825 M
NEW	BC-□□M-182514	180 x 255 x 140	15	125	166 x 241 x 127	-	-	1825 M
NEW	BC-□□M-182515	180 x 255 x 150	25	125	166 x 241 x 137	-	-	1825 M
NEW	BC-□□M-182516	180 x 255 x 165	15	150	166 x 241 x 152	-	-	1825 M
NEW	BC-□□M-182517	180 x 255 x 175	25	150	160 x 241 x 161	-	-	1825 M

Accessories



Plastic mounting plate(G Plate)



Plastic mounting plate(P Plate)



Steel mounting plate(M Plate)



Cover screw (standard, CB10)



Plastic bracket(PB40)
(Screw : TTS 5x12)



SUS bracket(B40)
(Screw : TTS 5x10)



Cover screw (standard, CB25)



Cover screw (standard, CB35)

P Series

90x120x70 - 630x830x285mm

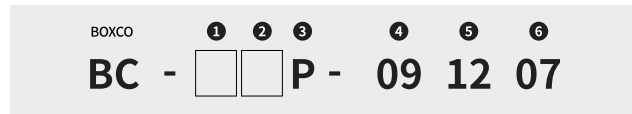
Feature

- SUS hinge pin, SUS latch and insert
- It is easy to removable cover and base

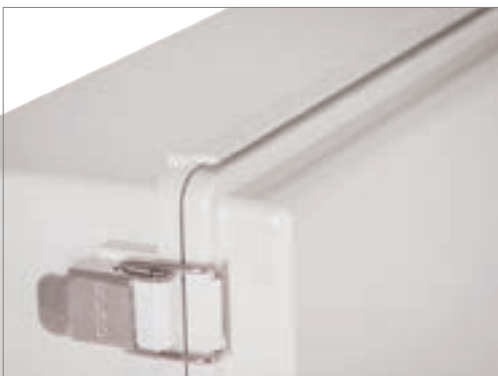
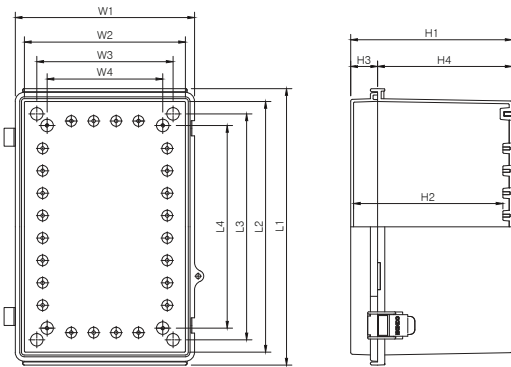
Specification

- IP Rating | IP67
- IK Rating | IK08
- Temperature Range | ABS : -40°F ~ +158°F,
PC : -40°F ~ +230°F
- Flammability Rating | ABS : 94-HB, PC : 94-V-0, 5VA, HB
- Certification | TUV, CE, UL

P Series model name



- ① Material - A : ABS C : PC
- ② Cover - G : Grey / T : Transparent
- ③ Type - Plastic Latch
- ④ Width(W)*
- ⑤ Length(L)* - Hinge, Latch Installed
- ⑥ Height(H)* - Cover Included



Product model					Mounting plate			
Model	Outside dimension			Inside dimension	Plastic			Steel
	Size (W1xL1xH1/mm)	Cover (H3/mm)	Base (H4/mm)	Size (W2xL2xH2/mm)	G-type	PG-type	P-type	
BC- □□P- 091207	90 x 120 x 70	20	50	66 x 97 x 57	-	-	0811 P	0811 S
BC- □□P- 091208	90 x 120 x 85	20	65	66 x 97 x 72	-	-	0811 P	0811 S
BC- □□P- 101507	100 x 150 x 70	20	50	77 x 127 x 57	-	-	0813 P	0813 S
BC- □□P- 101508	100 x 150 x 85	20	65	86 x 126 x 72	-	-	0813 P	0813 S
BC- □□P- 112107	110 x 210 x 75	20	55	86 x 186 x 62	-	-	1020 P	1020 S
BC- □□P- 112110	110 x 210 x 100	20	80	86 x 186 x 72	-	-	1020 P	1020 S
BC- □□P- 112607	110 x 260 x 75	20	55	86 x 236 x 62	-	-	1126 P	1126 S
BC- □□P- 112610	110 x 260 x 100	20	80	86 x 236 x 87	-	-	1126 P	1126 S
BC- □□P- 131508	135 x 155 x 85	20	65	110 x 131 x 72	-	-	1315 P	1315 S
BC- □□P- 131808	135 x 185 x 85	20	65	111 x 161 x 72	1217 G	-	1217 P	1217 S
BC- □□P- 131810	135 x 185 x 100	20	80	111 x 161 x 87	1217 G	-	1217 P	1217 S
BC- □□P- 151509	150 x 150 x 90	20	70	126 x 126 x 76	1515 G	-	1515 P	1515 S
BC- □□P- 151512	150 x 150 x 120	20	100	126 x 126 x 106	1515 G	-	1515 P	1515 S
BC- □□P- 162110	160 x 210 x 100	25	75	136 x 186 x 87	1520 G	-	1520 P	1520 S
BC- □□P- 162113	160 x 210 x 130	25	105	135 x 185 x 117	1520 G	-	1520 P	1520 S
BC- □□P- 162610	160 x 260 x 100	25	75	136 x 236 x 87	1525 G	-	1525 P	1525 S
BC- □□P- 162613	160 x 260 x 130	25	105	135 x 235 x 117	1525 G	-	1525 P	1525 S
NEW BC- □□P- 172210	170 x 220 x 105	25	80	146 x 196 x 91	2020 G	-	1520 P	1520 S
BC- □□P- 172711	170 x 270 x 110	30	80	146 x 246 x 96	2020 G	-	1525 P	1525 S
BC- □□P- 212110	210 x 210 x 100	25	75	185 x 185 x 87	-	-	2020 P	2020 S
BC- □□P- 212113	210 x 210 x 130	25	105	185 x 185 x 117	-	-	2020 P	2020 S
BC- □□P- 192810	190 x 280 x 100	30	70	165 x 255 x 84	-	1928 PG	1928 P	1928 S
BC- □□P- 192814	190 x 280 x 140	30	110	165 x 255 x 124	-	1928 PG	1928 P	1928 S
BC- □□P- 203013	200 x 300 x 130	30	100	175 x 275 x 114	-	-	2030 P	2030 S
BC- □□P- 203015	200 x 300 x 150	30	120	174 x 274 x 134	-	-	2030 P	2030 S
BC- □□P- 203018	200 x 300 x 180	30	150	173 x 273 x 164	-	-	2030 P	2030 S
BC- □□P- 253515	250 x 350 x 150	30	120	224 x 324 x 134	-	-	2535 P	2535 S
BC- □□P- 253518	250 x 350 x 180	30	150	223 x 323 x 164	-	-	2535 P	2535 S
BC- □□P- 282813	280 x 280 x 130	30	100	255 x 255 x 114	-	-	2828 P	2828 S
BC- □□P- 283813	280 x 380 x 130	30	100	255 x 355 x 114	-	2838 PG	2838 P	2838 S
BC- □□P- 303015	300 x 300 x 150	30	120	274 x 274 x 134	-	-	3030 P	3030 S
BC- □□P- 303018	300 x 300 x 180	30	150	273 x 273 x 164	-	-	3030 P	3030 S
BC- □□P- 304012	300 x 400 x 120	30	90	275 x 375 x 104	-	-	3040 P	3040 S
BC- □□P- 304015	300 x 400 x 150	30	120	274 x 374 x 134	-	-	3040 P	3040 S
BC- □□P- 304018	300 x 400 x 180	30	150	273 x 373 x 164	-	-	3040 P	3040 S
BC- □□P- 353515	350 x 350 x 150	30	120	324 x 324 x 134	-	-	3535 P	3535 S
BC- □□P- 353518	350 x 350 x 180	30	150	323 x 323 x 164	-	-	3535 P	3535 S
BC- □□P- 354512	350 x 450 x 120	30	90	318 x 418 x 103	-	-	3545 P	3545 S
BC- □□P- 354516	350 x 450 x 160	30	130	317 x 417 x 143	-	-	3545 P	3545 S
BC- □□P- 354520	350 x 450 x 200	30	170	316 x 416 x 183	-	-	3545 P	3545 S
BC- □□P- 405016	400 x 500 x 160	30	130	363 x 469 x 144	-	-	4050 P	4050 S
BC- □□P- 405020	400 x 500 x 200	30	170	361 x 468 x 184	-	-	4050 P	4050 S
BC- □□P- 406018	400 x 600 x 180	30	150	360 x 567 x 163	-	-	4060 P	4060 S
BC- □□P- 406023	400 x 600 x 230	30	200	360 x 568 x 213	-	-	4060 P	4060 S
BC- □□P- 506018	530 x 630 x 185	35	150	478 x 585 x 166	-	-	5060 P	5060 S
BC- □□P- 506025	530 x 630 x 255	35	220	476 x 576 x 236	-	-	5060 P	5060 S
BC- □□P- 507018	530 x 730 x 185	35	150	478 x 680 x 166	-	-	5070 P	5070 S
BC- □□P- 507025	530 x 730 x 255	35	220	476 x 676 x 236	-	-	5070 P	5070 S
BC- □□P- 608018	630 x 830 x 185	35	150	578 x 778 x 166	-	-	-	6080 S
BC- □□P- 608028	630 x 830 x 285	35	250	574 x 774 x 266	-	-	-	6080 S
NEW BC- □□P- 8010035	810 x 1010 x 350	50	300	746 x 946 x 337	-	-	-	-
NEW BC- □□P- 10012035	1010 x 1210 x 350	50	300	946 x 1146 x 337	-	-	-	-
※ The following products have bosses inside the cover.								
BC- □□P- 172211	170 x 220 x 110	30	80	146 x 196 x 96	1520 G	-	1520 P	1520 S

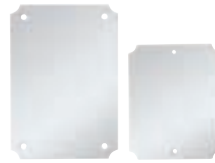
Accessories



**Plastic mounting plate
(G, PG Plate)**



**Plastic mounting plate
(P Plate)**



**Steel mounting plate
(S Plate)**



Key ring(K40)



Lock(SK)



Plastic lock(PK)



Integral lock(PSK15, PPK20, PPK35, PPK50)



SUS bracket(B40, B50, B60)

B40 : P-091207P-212113 (Screw : TTS 4x10)
 B50 : P-192810P-406023 (Screw : TH M5x10)
 B60 : P-406018~P-608028
 (Screw : TH M5x10, TH M6x10)



Plastic bracket(PB40, PB50)

PB40 : P-091207P-212113 (Screw : TTS 4x12)
 PB50 : P-192810P-507025 (Screw : TH M5x12)



Vent(V60, V80)

Dual Door

Dual door applicable model		Product model		
Model	Outside dimension	Dual door	Dual door aluminium plate	Dual door set
	Size (W1xL1xH1/mm)			
BC- □□P- 203013	200 x 300 x 130	BC- PF203013	BC- PFA2030	BC- PFA203013
BC- □□P- 203015	200 x 300 x 150	BC- PF203015	BC- PFA2030	BC- PFA203015
BC- □□P- 203018	200 x 300 x 180	BC- PF203018	BC- PFA2030	BC- PFA203018
BC- □□P- 253515	250 x 350 x 150	BC- PF253515	BC- PFA2535	BC- PFA253515
BC- □□P- 253518	250 x 350 x 180	BC- PF253518	BC- PFA2535	BC- PFA253518
BC- □□P- 282813	280 x 280 x 130	BC- PF282813	BC- PFA2828	BC- PFA282813
BC- □□P- 283813	280 x 380 x 130	BC- PF283813	BC- PFA2838	BC- PFA283813
BC- □□P- 303015	300 x 300 x 150	BC- PF303015	BC- PFA3030	BC- PFA303015
BC- □□P- 303018	300 x 300 x 180	BC- PF303018	BC- PFA3030	BC- PFA303018
BC- □□P- 304015	300 x 400 x 150	BC- PF304015	BC- PFA3040	BC- PFA304015
BC- □□P- 304018	300 x 400 x 180	BC- PF304018	BC- PFA3040	BC- PFA304018
BC- □□P- 354516	350 x 450 x 160	BC- PF354516	BC- PFA3545	BC- PFA354516
BC- □□P- 354520	350 x 450 x 200	BC- PF354520	BC- PFA3545	BC- PFA354520
BC- □□P- 405016	400 x 500 x 160	BC- PF405016	BC- PFA4050	BC- PFA405016
BC- □□P- 405020	400 x 500 x 200	BC- PF405020	BC- PFA4050	BC- PFA405020
BC- □□P- 406018	400 x 600 x 180	BC- PF406018	BC- PFA4060	BC- PFA406018
BC- □□P- 406023	400 x 600 x 230	BC- PF406023	BC- PFA4060	BC- PFA406023
BC- □□P- 506018	530 x 630 x 185	BC- PF506018	BC- PFA5060	BC- PFA506018
BC- □□P- 506025	530 x 630 x 255	BC- PF506025	BC- PFA5060	BC- PFA506025

Q Series

100x100x80 - 400x500x200mm

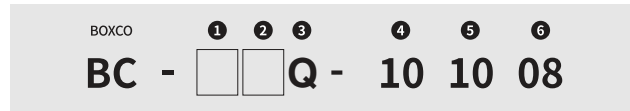
Feature

- Plastic hinge, Plastic latch
- Q-101008-K has Knock out cover, baset

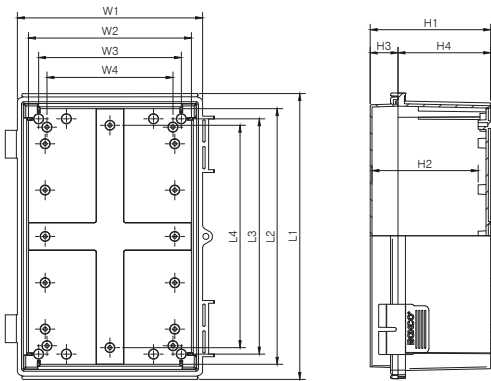
Specification

- IP Rating | IP66/67
- IK Rating | IK08
- Temperature Range | ABS : - 40 ~ + 70, PC : - 40 ~ + 110
- Flammability Rating | ABS : 94-HB, PC : 94-V-0, 5VA, HB
- Certification | TUV, CE, UL

Q Series model name



- ❶ Material - A : ABS
- ❷ Cover - G : Grey / T : Transparent
- ❸ Type - Plastic Latch
- ❹ Width(W)
- ❺ Length(L) - Hinge, Latch Installed
- ❻ Height(H) - Cover Included



Q-101008-K

Product model					Mounting plate		
Model	Outside dimension			Inside dimension Size (W2xL2xH2/m m)	Plastic		Steel
	Size (W1xL1xH1/mm)	Cover (H3/mm)	Base (H4/mm)		G-type	C-type	
NEW BC-□□Q-101008-K	100 X 100 X 80 X 25 (KNOCK OUT)	20	60	81 x 81 x 75	-	-	-
BC-□□Q-101509	100 X 150 X 90	20	70	76 X 126 X 78	1015 G	-	1015 SQ
BC-□□Q-151509	150 X 150 X 90	20	70	129 X 129 X 78	1515 G	-	1515 SQ
BC-□□Q-151512	150 X 150 X 120	20	100	129 X 129 X 108	1515 G	-	1515 SQ
BC-□□Q-162110	160 X 210 X 100	20	80	136 X 186 X 88	1520 G	-	1520 SQ
BC-□□Q-162113	160 X 210 X 130	20	110	136 X 186 X 118	1520 G	-	1520 SQ
BC-□□Q-212113	210 X 210 X 130	20	110	183 X 183 X 118	2020 G	-	2020 SQ
BC-□□Q-203013	200 X 300 X 130	30	100	175 X 275 X 114	2030 G	2030 C	2030 SQ
BC-□□Q-203014	200 X 300 X 140	30	110	175 X 275 X 104	2030 G	2030 C	2030 SQ
BC-□□Q-203015	200 X 300 X 150	30	120	175 X 275 X 134	2030 G	2030 C	2030 SQ
BC-□□Q-203018	200 X 300 X 180	30	150	175 X 275 X 164	2030 G	2030 C	2030 SQ
BC-□□Q-253516	250 X 350 X 160	30	130	225 X 325 X 144	2535 G	2535 C	2535 SQ
BC-□□Q-303016	300 X 300 X 160	30	130	270 X 270 X 144	3030 G	3030 C	3030 SQ
BC-□□Q-304015	300 X 400 X 150	30	120	275 X 375 X 141	3040 G	3040 C	3040 SQ
BC-□□Q-304016	300 X 400 X 160	30	130	275 X 375 X 144	3040 G	3040 C	3040 SQ
BC-□□Q-304018	300 X 400 X 180	30	150	275 X 375 X 164	3040 G	3040 C	3040 SQ
BC-□□Q-354520	350 X 450 X 200	30	170	317 X 417 X 183	3545 G	-	3545 SQ
BC-□□Q-405016	400 X 500 X 160	30	130	369 X 469 X 143	4050 G	-	4050 SQ
BC-□□Q-405020	400 X 500 X 200	30	170	369 X 469 X 183	4050 G	-	4050 SQ

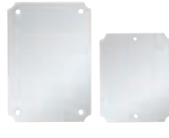
Accessories



Plastic mounting plate
(G Plate)



Plastic mounting plate
(C Plate)



Steel mounting plate
(SQ Plate)



SUS bracket(B40, B50)

B40 : Q-101509Q-212113 (Screw : TTS 4x10)
B50 : Q-203013Q-405020 (Screw : TTS 5x12)



Lock(SK)



Plastic lock(PK)



Vent(V60, V80)



Key ring(K40)



Plastic bracket(PB40, PB50)

PB40 : Q-101509Q-212113 (Screw : TTS 4x12)
PB50 : Q-203013Q-405020 (Screw : TTS 5x12)

Dual door

Dual door applicable model	
Model	Outside dimension
	Size (W1xL1xH1/mm)
BC-□□Q- 253516	250 X 350 X 160
BC-□□Q- 304015	300 X 400 X 150
BC-□□Q- 304016	300 X 400 X 160
BC-□□Q- 304018	300 X 400T X 180
NEW BC-□□Q- 354520	350 X 450 X 200
NEW BC-□□Q- 405016	400 X 500 X 160
NEW BC-□□Q- 405020	400 X 500 X 200

Product model		
Dual door	Dual door aluminium plate	Dual door set
BC- RF253516	BC- RFA2535	BC- RFA253516
BC- RF304015	BC- RFA3040	BC- RFA304015
BC- RF304016	BC- RFA3040	BC- RFA304016
BC- RF304018	BC- RFA3040	BC- RFA304018
NEW BC- RF354520	BC- RFA3545	BC- RFA354520
NEW BC- RF405016	BC- RFA4050	BC- RFA405016
NEW BC- RF405020	BC- RFA4050	BC- RFA405020

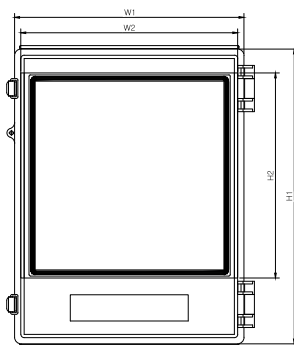
D Series



ARD/CRD



AGD/CGD



Cover



Cover+Base

Feature

- It is easy to separate cover and base so that user can assemble them for processing and printing.
- Hinge is integrated with enclosure and main parts of draw latch are made of stainless steel to be solid and hinge connecting pins and draw latch are made of stainless steel and plastic to prevent rust.
- It is easy to control the internal facilities through the transparent window.

Product model		Outside dimension	Mounting plate		Dual door plate	
ABS	PC	Size (W1xL1xH1/mm)	Plastic	Steel	Model No.	
BC- ARD- 253517	BC-CRD- 253517	250 x 350 x 170	2535 G	2535 C	2535 SQ	D 2535
BC- ARD- 253519	BC-CRD- 253519	250 x 350 x 190	2535 G	2535 C	2535 SQ	D 2535
BC- AGD- 354513	BC- CGD- 354513	350 x 450 x 130	3545 P	3545 S		D 3545
BC- AGD- 354517	BC- CGD- 354517	350 x 450 x 170	3545 P	3545 S		D 3545
BC- AGD- 354521	BC- CGD- 354521	350 x 450 x 210	3545 P	3545 S		D 3545

S Series K Type

Knock-out Box

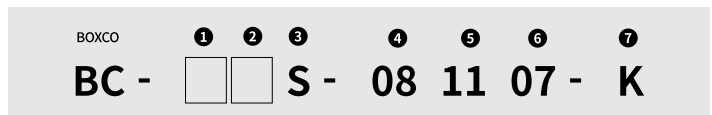
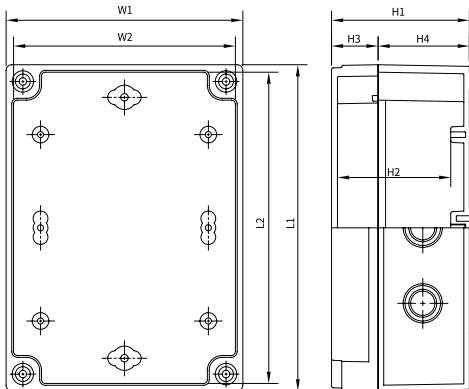
Feature

- Screw type, Knock out base

Specification

- IP Rating | IP67
- IK Rating | IK08
- Temperature Range | ABS : -40°F ~ +158°F
PC : -40°F ~ +230°F
- Flammability Rating | ABS : 94-HB, PC : 94-V-0, 5VA, HB
- Certification | TUV, CE, UL

S Series K Type model name



- ① Material - A : ABS C : PC
- ② Cover - G : Grey / T : Transparent
- ③ Type - Screw Cover
- ④ Width(W)*
- ⑤ Length(L)*
- ⑥ Height(H)* - Cover Included
- ⑦ Knock-Out



Model	Product model				Mounting plate		
	Outside dimension			Inside dimension	Plastic		Steel
	Size (W1xL1xH1/mm)	Cover (H3/mm)	Base (H4/mm)	Size (W2xL2xH2/mm)	G-type	P-type	
BC-□□S-081107-K	80 x 110 x 70	20	50	72 x 102 x 56	-	0811 P	-
BC-□□S-081108-K	80 x 110 x 85	35	50	72 x 102 x 71	-	0811 P	-
BC-□□S-081307-K	80 x 130 x 70	20	50	72 x 122 x 56	-	0813 P	-
BC-□□S-081308-K	80 x 130 x 85	35	50	72 x 122 x 71	-	0813 P	-
BC-□□S-081807-K	80 x 180 x 70	20	50	72 x 172 x 57	-	0818 P	-
BC-□□S-081808-K	80 x 180 x 85	35	50	72 x 172 x 72	-	0818 P	-
BC-□□S-082507-K	80 x 250 x 70	20	50	72 x 242 x 57	-	0825 P	-
BC-□□S-082508-K	80 x 250 x 85	35	50	72 x 242 x 72	-	0825 P	-
BC-□□S-121707-K	125 x 175 x 75	25	50	119 x 167 x 61	1217 G	1217 P	1217 S
BC-□□S-121710-K	125 x 175 x 100	50	50	119 x 167 x 86	1217 G	1217 P	1217 S

Push Button Box



Model	Hole	A	B	C
BC-□GG-08110□-□□01	1-Hole	40	55	-
BC-□GG-08130□-□□02	2-Hole	40	40	50
BC-□GG-08180□-□□03	3-Hole	40	40	50
BC-□GG-08250□-□□04	4-Hole	40	50	50

Push Button Box model name

BOXCO ① ② ③ ④ ⑤ ⑥ ∅ ⑦
BC - □ GG - 08 11 07 - □ □ □ □

HOLE : ∅22, ∅25, ∅30 (1-4 Hole)

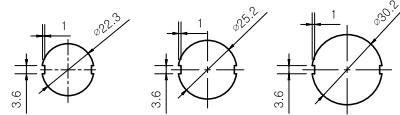
Feature

- Screw type, Knock out base
- This series has a pre-cut hole on the cover

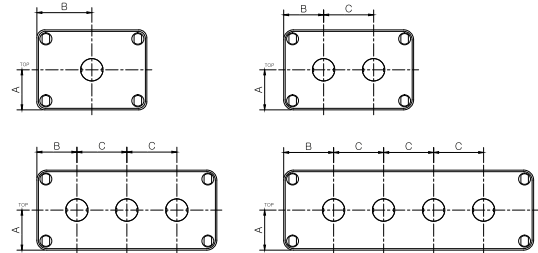
Specification

- Temperature Range | ABS : -40°F ~ +158°F
PC : -40°F ~ +230°F
- Flammability Rating | ABS : 94-HB
PC : 94-V-0, 5VA
- Certification | TUV, CE, UL

Push Button Hole



Push Button Hole Spacing



- ① Material - A : ABS C : PC
- ② Cover - G : Grey
- ③ Base - G : Grey
- ④ Width(W)
- ⑤ Length(L)
- ⑥ Height(H)
- Cover Included
- ⑦ Hole

Product model							
Model	∅	Hole	Outside dimension			Inside depth (mm)	
			Size (W1xL1xH1/mm)	Cover (H3/mm)	Base (H4/mm)		
BC-□GG-081107-2201	∅22	1 HOLE	80 x 110 x 70	20	50	57	
BC-□GG-081108-2201			80 x 110 x 85	35	50	72	
BC-□GG-081307-2202		2 HOLE	80 x 130 x 70	20	50	57	
BC-□GG-081308-2202			80 x 130 x 85	35	50	72	
BC-□GG-081807-2203		3 HOLE	80 x 180 x 70	20	50	57	
BC-□GG-081808-2203			80 x 180 x 85	35	50	72	
BC-□GG-082507-2204		4 HOLE	80 x 250 x 70	20	50	57	
BC-□GG-082508-2204			80 x 250 x 85	35	50	72	
BC-□GG-081107-2501	∅25	1 HOLE	80 x 110 x 70	20	50	57	
BC-□GG-081108-2501			80 x 110 x 85	35	50	72	
BC-□GG-081307-2502		2 HOLE	80 x 130 x 70	20	50	57	
BC-□GG-081308-2502			80 x 130 x 85	35	50	72	
BC-□GG-081807-2503		3 HOLE	80 x 180 x 70	20	50	57	
BC-□GG-081808-2503			80 x 180 x 85	35	50	72	
BC-□GG-082507-2504		4 HOLE	80 x 250 x 70	20	50	57	
BC-□GG-082508-2504			80 x 250 x 85	35	50	72	
BC-□GG-081107-3001		∅30	1 HOLE	80 x 110 x 70	20	50	57
BC-□GG-081108-3001				80 x 110 x 85	35	50	72
BC-□GG-081307-3002			2 HOLE	80 x 130 x 70	20	50	57
BC-□GG-081308-3002				80 x 130 x 85	35	50	72
BC-□GG-081807-3003	3 HOLE		80 x 180 x 70	20	50	57	
BC-□GG-081808-3003			80 x 180 x 85	35	50	72	
BC-□GG-082507-3004	4 HOLE		80 x 250 x 70	20	50	57	
BC-□GG-082508-3004			80 x 250 x 85	35	50	72	

Push Button Box



HOLE : $\varnothing 22$, $\varnothing 25$, $\varnothing 30$ (1-4 Hole)

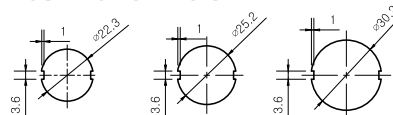
Feature

- Screw type, Knock out base
- This series has a pre-cut hole on the cover

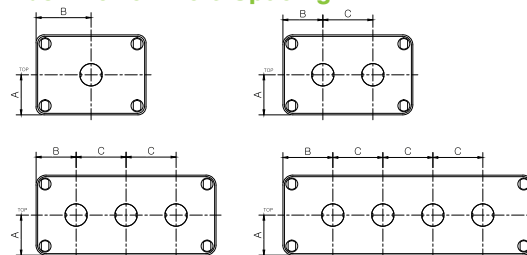
Specification

- Temperature Range | ABS : $-40^{\circ}\text{F} \sim +158^{\circ}\text{F}$
- Flammability Rating | ABS : 94-HB

Push Button Hole



Push Button Hole Spacing



Model	Hole	A	B	C
BC-A□B-08110□□□01	1-Hole	40	55	-
BC-A□B-08130□□□02	2-Hole	40	40	50
BC-A□B-08180□□□03	3-Hole	40	40	50
BC-A□B-08250□□□04	4-Hole	40	50	50

Push Button Box model name

BOXCO	1	2	3	4	5	6	7
BC - A	□	B	- 08	11	07	- □□	□□

- 1 Material - A : ABS
 - 2 Cover - Y:Yellow/R:Red/G:Grey
 - 3 Base / - B : Black
 - 4 Width(W)
 - 5 Length(L)
 - 6 Height(H)
 - 7 Hole
- Cover Included

Product model						
Model	\varnothing	Hole	Outside dimension			Inside depth (mm)
			Size (W1xL1xH1/mm)	Cover (H3/mm)	Base (H4/mm)	
BC-A□B-081107-2201	$\varnothing 22$	1 HOLE	80 x 110 x 70	20	50	57
BC-A□B-081108-2201			80 x 110 x 85	35	50	72
BC-A□B-081307-2202		2 HOLE	80 x 130 x 70	20	50	57
BC-A□B-081308-2202			80 x 130 x 85	35	50	72
BC-A□B-081807-2203		3 HOLE	80 x 180 x 70	20	50	57
BC-A□B-081808-2203			80 x 180 x 85	35	50	72
BC-A□B-082507-2204		4 HOLE	80 x 250 x 70	20	50	57
BC-A□B-082508-2204			80 x 250 x 85	35	50	72
BC-A□B-081107-2501	$\varnothing 25$	1 HOLE	80 x 110 x 70	20	50	57
BC-A□B-081108-2501			80 x 110 x 85	35	50	72
BC-A□B-081307-2502		2 HOLE	80 x 130 x 70	20	50	57
BC-A□B-081308-2502			80 x 130 x 85	35	50	72
BC-A□B-081807-2503		3 HOLE	80 x 180 x 70	20	50	57
BC-A□B-081808-2503			80 x 180 x 85	35	50	72
BC-A□B-082507-2504		4 HOLE	80 x 250 x 70	20	50	57
BC-A□B-082508-2504			80 x 250 x 85	35	50	72
BC-A□B-081107-3001	$\varnothing 30$	1 HOLE	80 x 110 x 70	20	50	57
BC-A□B-081108-3001			80 x 110 x 85	35	50	72
BC-A□B-081307-3002		2 HOLE	80 x 130 x 70	20	50	57
BC-A□B-081308-3002			80 x 130 x 85	35	50	72
BC-A□B-081807-3003		3 HOLE	80 x 180 x 70	20	50	57
BC-A□B-081808-3003			80 x 180 x 85	35	50	72
BC-A□B-082507-3004		4 HOLE	80 x 250 x 70	20	50	57
BC-A□B-082508-3004			80 x 250 x 85	35	50	72

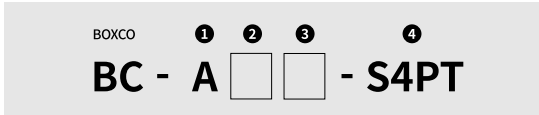
Plastic Terminal Block Box

4P -20P

Specification

- IP Rating | IP66/67
- IK Rating | IK08
- Rated Insulation Voltage | 400V
- Rated Current Capacity | 0.75mm² - 1.5mm²
- Temperature Range | ABS : -40 ~ +70, PC : -40 ~ +110
- Flammability Rating | ABS : 94-V-0, HB, PC : 94-HB, PBT : 94-V-0
- Certification | TUV, CE

Terminal Block Box model name



- ① Material - A: ABS / T:PBT
- ② Cover - G: Grey / B: Grayish blue / T: Transparent
- ③ Base - G: Grey / B: Grayish blue
- ④ Number of poles

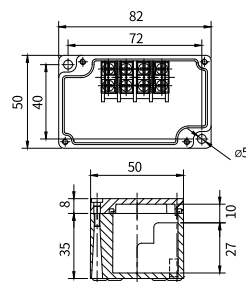
Stair type

50x82x42 - 160x160x70mm

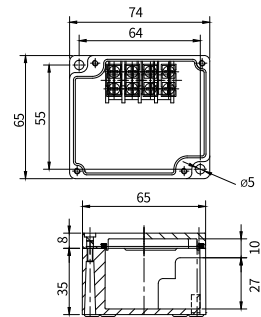
Product model	Size (W1xL1xH1/mm)
BC-A□□-4PH	50x82x43x21(Knock out)
BC-A□□-4PT	65x74x43x21(Knock out)
BC-A□□-6PH	55x91x43x21(Knock out)
BC-A□□-6PT	75x91x43x21(Knock out)
BC-A□□-10PT	75x125x43x21(Knock out)
BC-A□□-15PT	100x185x70
BC-A□□-20PT	100x230x70
BC-A□□-20PA	160x160x70



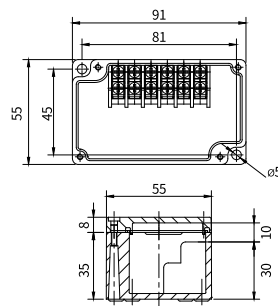
4PH



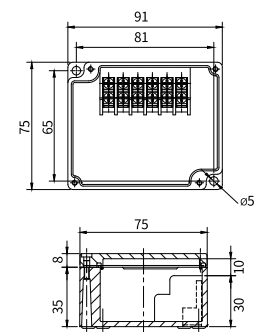
4PT



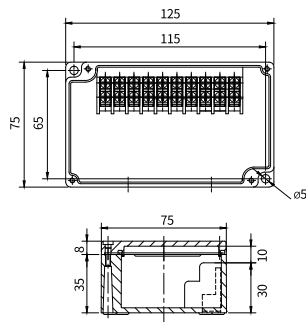
6PH



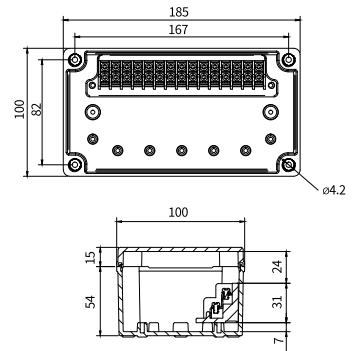
6PT



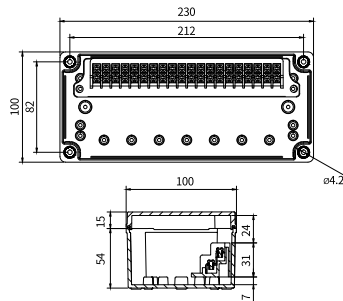
10PT



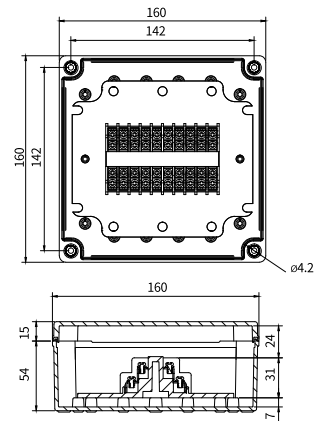
15PT



20PT



20PA

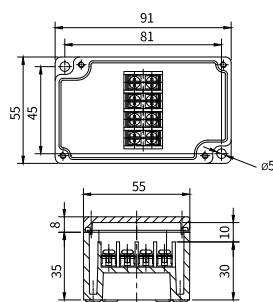


Flat type

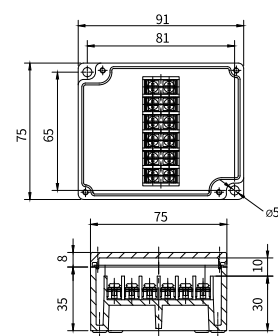
55x91x43 - 160x160x70mm

Product model	Size (W1xL1xH1/mm)
BC-A□□-4P	55x91x43(Knock out)
BC-A□□-6P	75x91x43x21(Knock out)
BC-A□□-10P	91x110x43x21(Knock out)
BC-A□□-15P	100x185x70
BC-A□□-20P	100x230x70
BC-A□□-20P2	160x160x70

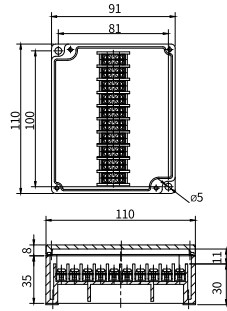
4P



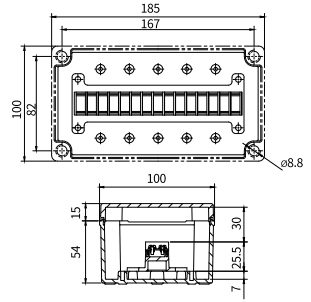
6P



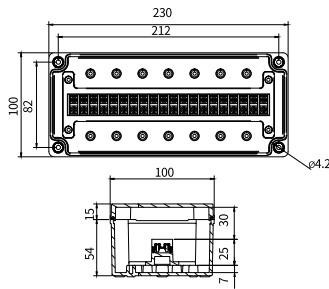
10P



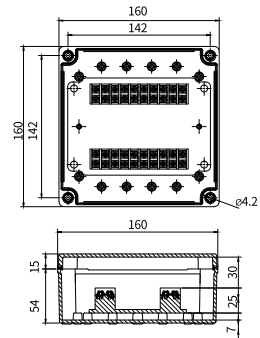
15P



20P



20P2

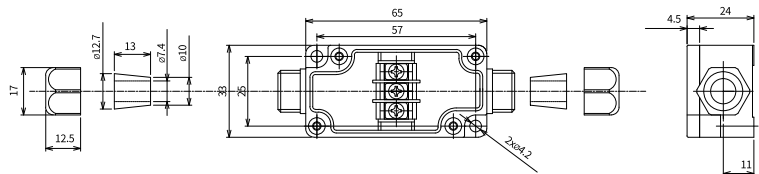


CG Series

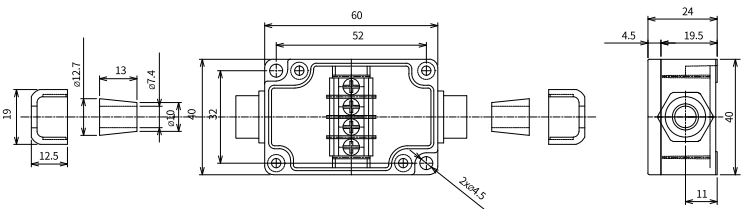
33x65x24 - 50x70x24mm

Product model	Size (W1xL1xH1/mm)
BC-□□G-3PC	33x64x24x9
BC-□□G-4PC	40x60x24x9
BC-□□G-6PC	50x70x24x9

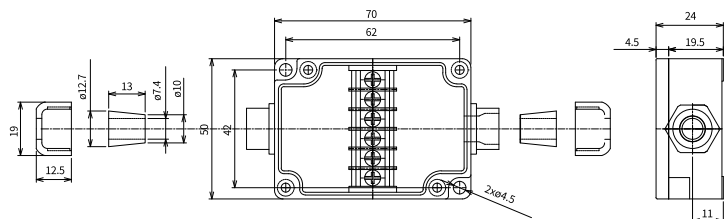
3PC



4PC



6PC



Aluminum Terminal Block Box ALS Series

Stair type

60x70x50 - 313x404x111mm

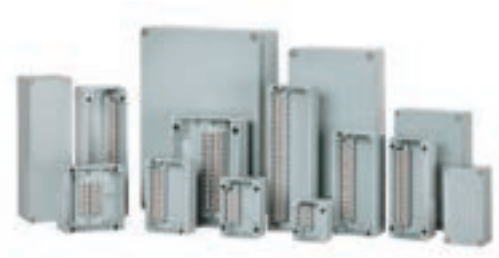
Feature

- Screw type, RAL7001

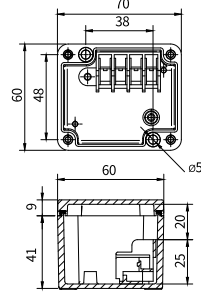
Specification

- Rated Insulation Voltage | 400V
- Rated Current Capacity | 1.0mm²

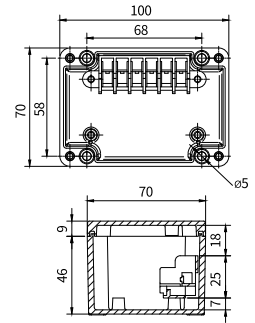
	Product model	Size (W1xL1xH1/mm)
	BC-ALS-4PT	60 x 70 x 50
	BC-ALS-6PT	70 x 100 x 55
	BC-ALS-10PT	70 x 128 x 55
	BC-ALS-12PT	110 x 110 x 55
	BC-ALS-15PT	70 x 171 x 55
	BC-ALS-20PT	125 x 150 x 65
	BC-ALS-20PT2	80 x 230 x 80
	BC-ALS-30PT	125 x 190 x 80
NEW	BC-ALS-6PT-061005	64 x 98 x 46
	BC-ALS-10PT-081306	80 x 125 x 58
	BC-ALS-10PT-081307	80 x 125 x 70
	BC-ALS-15PT-081806	80 x 175 x 60
	BC-ALS-15PT-081807	80 x 175 x 70
	BC-ALS-15PT-101608	100 x 160 x 80
NEW	BC-ALS-20PT-151309	150 x 132 x 90
NEW	BC-ALS-20PT-122208	120 x 220 x 81
NEW	BC-ALS-20PT-122209	120 x 220 x 91
	BC-ALS-25PT-082506	80 x 250 x 57
	BC-ALS-25PT-082507	80 x 250 x 70
NEW	BC-ALS-25PT-162609	160 x 260 x 90
	BC-ALS-30PT-101608	100 x 160 x 80
NEW	BC-ALS-30PT-122208	120 x 220 x 81
NEW	BC-ALS-30PT-122209	120 x 220 x 91
NEW	BC-ALS-30PT-162110	160 x 210 x 100
NEW	BC-ALS-30PT-123608	120 x 360 x 81
NEW	BC-ALS-30PT-232011	230 x 200 x 111
NEW	BC-ALS-40PT-122208	120 x 220 x 81
NEW	BC-ALS-40PT-122209	120 x 220 x 91
NEW	BC-ALS-40PT-162110	160 x 210 x 100
	BC-ALS-40PT-162609	160 x 260 x 90
NEW	BC-ALS-40PT-232011	230 x 200 x 111
	BC-ALS-50PT-162609	160 x 260 x 90
NEW	BC-ALS-50PT-232811	230 x 280 x 111
	BC-ALS-50PT-233311	230 x 330 x 110
NEW	BC-ALS-60PT-163609	160 x 360 x 91
NEW	BC-ALS-60PT-233311	230 x 330 x 110
NEW	BC-ALS-100PT-314011	313 x 404 x 111
NEW	BC-ALS-120PT-314011	313 x 404 x 111
NEW	BC-ALS-150PT-314011	313 x 404 x 111



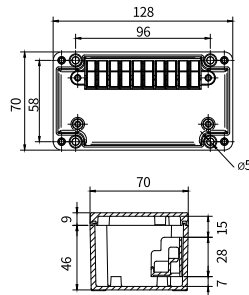
ALS- 4PT



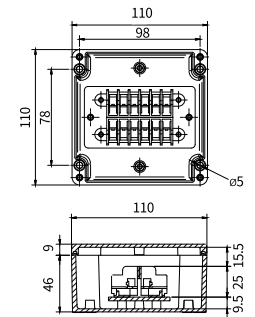
ALS- 6PT



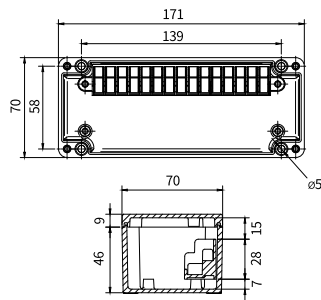
ALS- 10PT



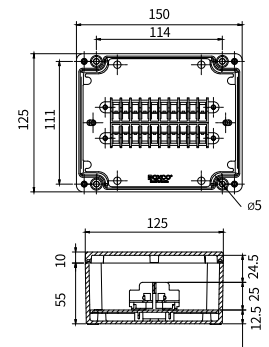
ALS- 12PT



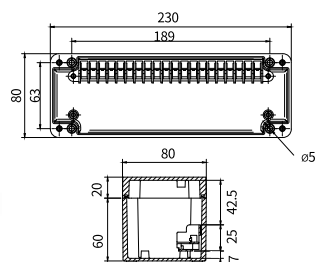
ALS- 15PT



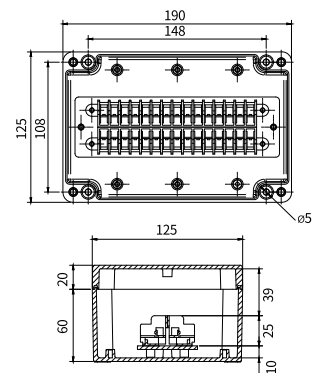
ALS- 20PT



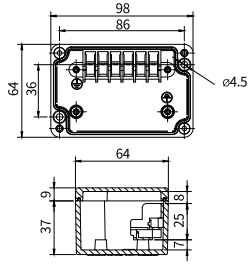
ALS- 20PT2



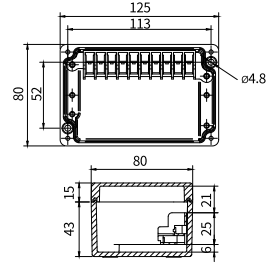
ALS- 30PT



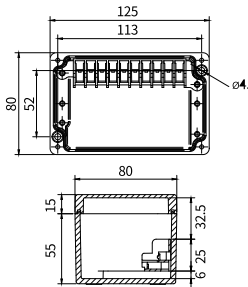
ALS- 6PT- 061005



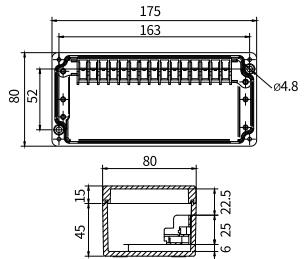
ALS- 10PT- 081306



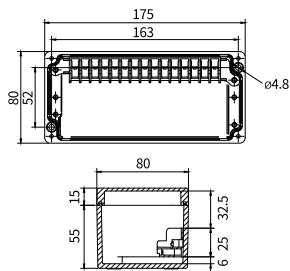
ALS- 10PT- 081307



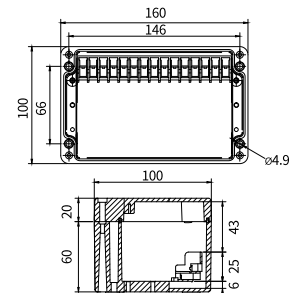
ALS- 15PT- 081806



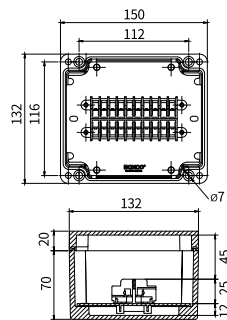
ALS- 15PT- 081807



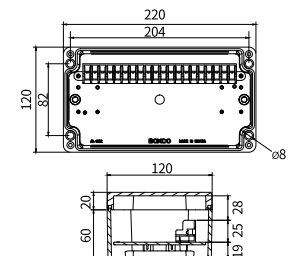
ALS- 15PT- 101608



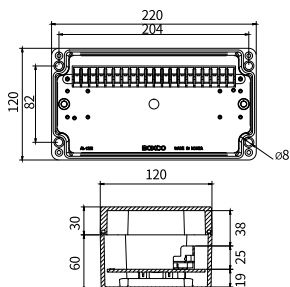
ALS- 20PT- 151309



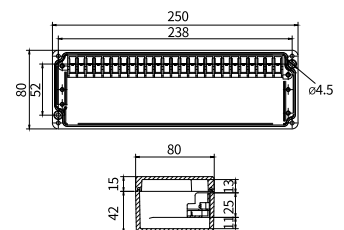
ALS- 20PT- 122208



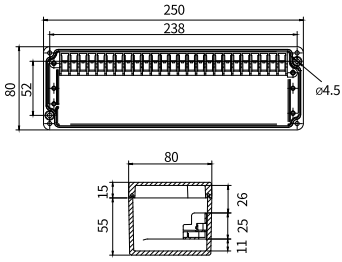
ALS- 20PT- 122209



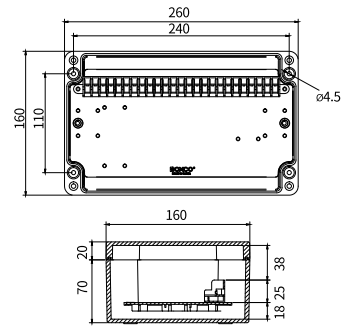
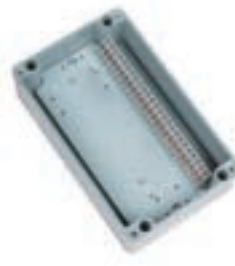
ALS- 25PT- 082506



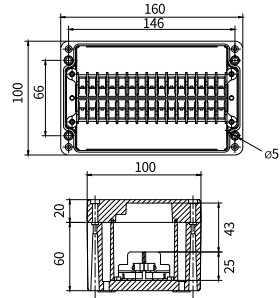
ALS- 25PT- 082507



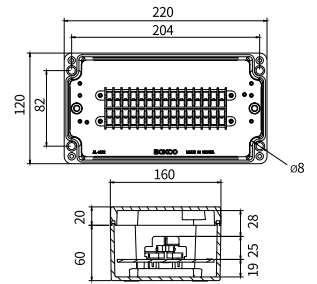
ALS- 25PT- 162609



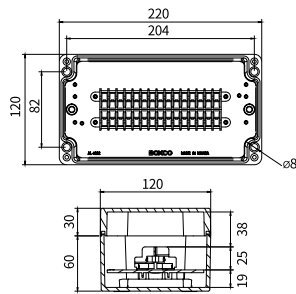
ALS- 30PT- 101608



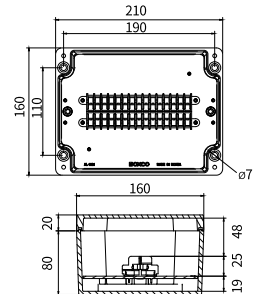
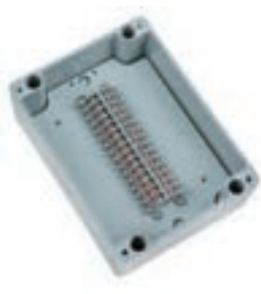
ALS- 30PT- 122208



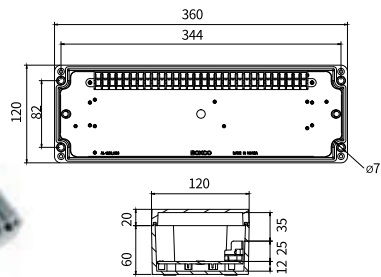
ALS- 30PT- 122209



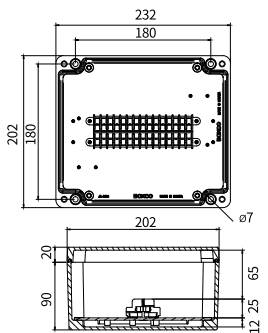
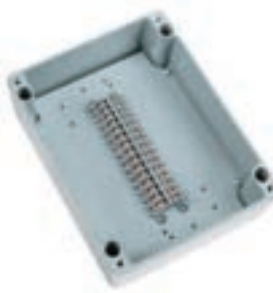
ALS- 30PT- 162110



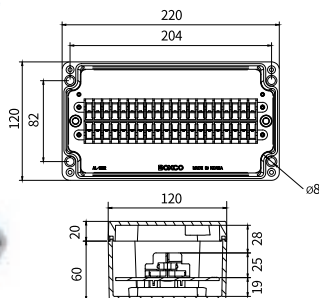
ALS- 30PT- 123608



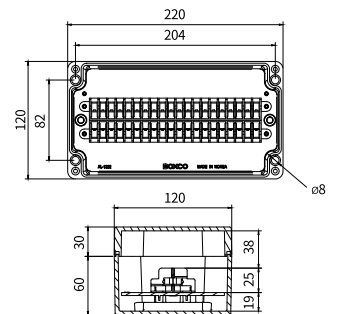
LS- 30PT- 232011



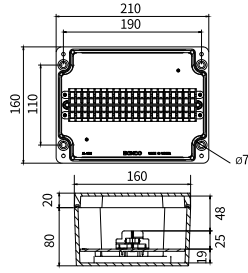
ALS- 40PT- 122208



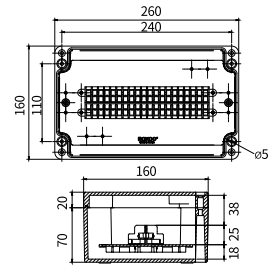
ALS- 40PT- 122209



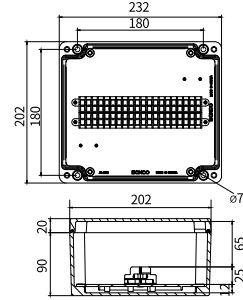
ALS- 40PT- 162110



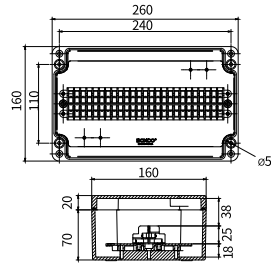
ALS- 40PT- 162609



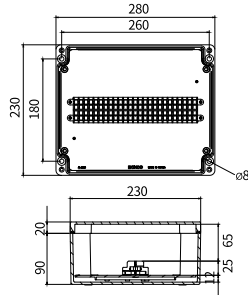
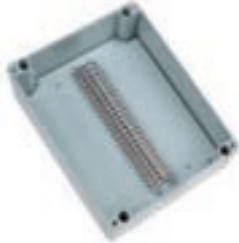
ALS- 40PT- 232011



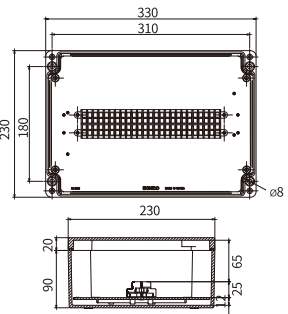
ALS- 50PT- 162609



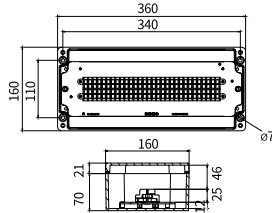
ALS- 50PT- 232811



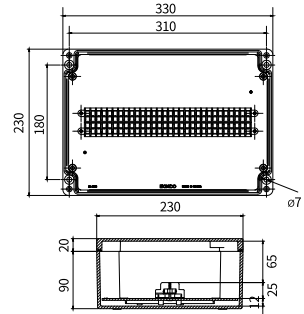
ALS- 50PT- 233311



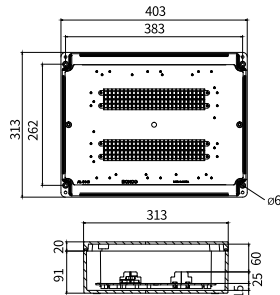
ALS- 60PT- 163609



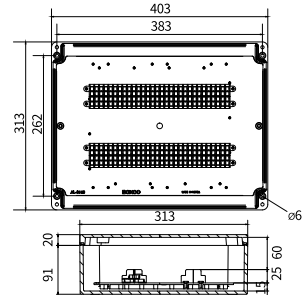
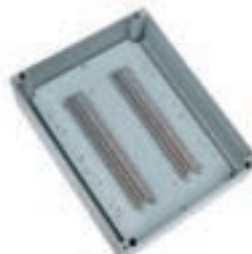
ALS- 60PT- 233311



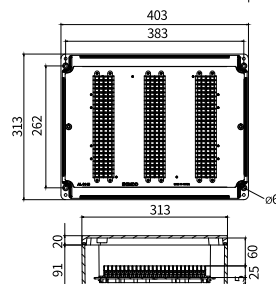
ALS- 100PT- 314011



ALS- 120PT- 314011



ALS- 150PT- 314011

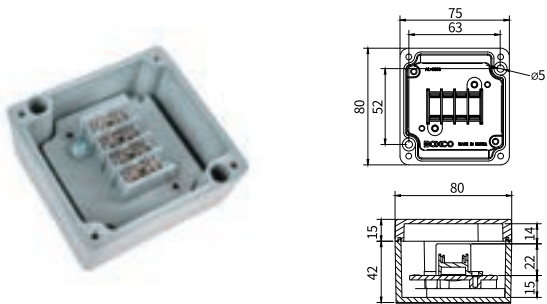


Flat type

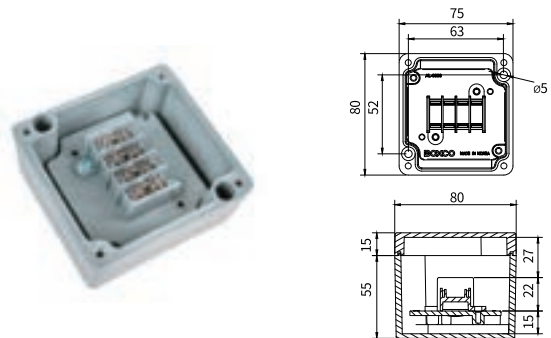
80x75x57 - 313x404x111mm

	Product model	Size (W1xL1xH1/mm)
NEW	BC-ALS-4P-080806	80 x 75 x 57
NEW	BC-ALS-4P-080807	80 x 75 x 70
NEW	BC-ALS-6P-080806	80 x 75 x 57
NEW	BC-ALS-6P-080807	80 x 75 x 70
NEW	BC-ALS-9P-101008	100 x 100 x 81
NEW	BC-ALS-10P-081306	80 x 125 x 58
NEW	BC-ALS-10P-081307	80 x 125 x 70
NEW	BC-ALS-15P-101608	100 x 160 x 80
NEW	BC-ALS-20P-122208	120 x 220 x 81
NEW	BC-ALS-20P-122209	120 x 220 x 91
NEW	BC-ALS-20P-161609	160 x 160 x 91
NEW	BC-ALS-30P-123608	120 x 360 x 81
NEW	BC-ALS-30P-162110	160 x 210 x 100
NEW	BC-ALS-30P-162609	160 x 260 x 90
NEW	BC-ALS-30P-232011	230 x 200 x 111
NEW	BC-ALS-35P-123608	120 x 360 x 81
NEW	BC-ALS-40P-162609	160 x 260 x 90
NEW	BC-ALS-40P-232011	230 x 200 x 111
NEW	BC-ALS-50P-232811	230 x 280 x 111
NEW	BC-ALS-60P-163609	160 x 360 x 91
NEW	BC-ALS-60P-233311	230 x 330 x 110
NEW	BC-ALS-190P-314011	313 x 404 x 111
NEW	BC-ALS-100P-314011	313 x 404 x 111

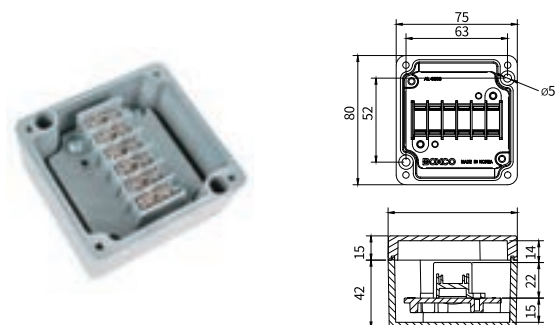
ALS- 4P- 080806



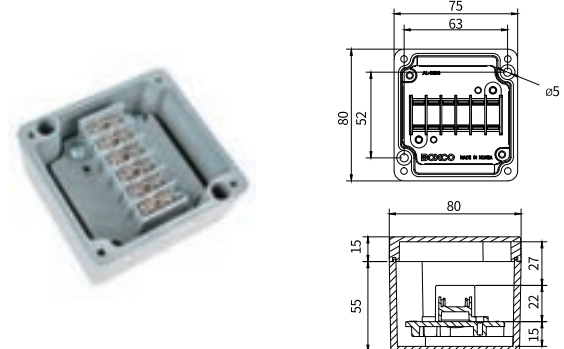
ALS- 4P- 080807



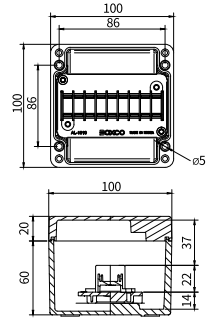
ALS- 6P- 080806



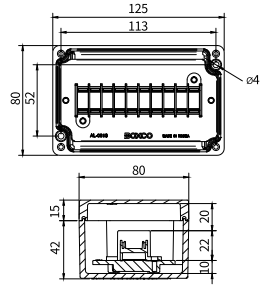
ALS- 6P- 080807



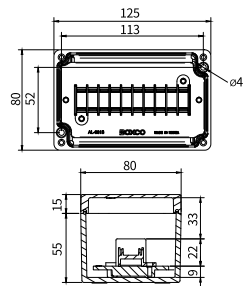
ALS- 9P- 101008



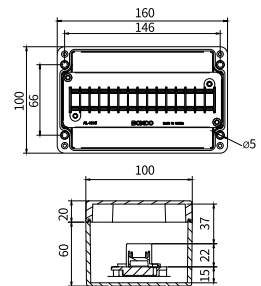
ALS- 10P- 081306



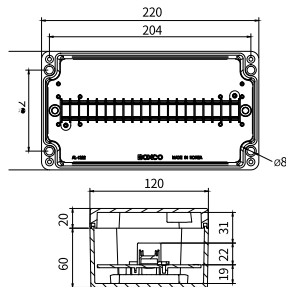
ALS- 10P- 081307



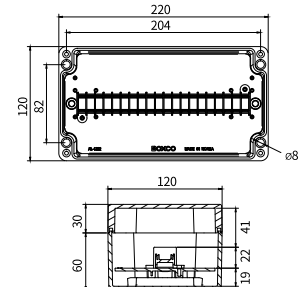
ALS- 15P- 101608



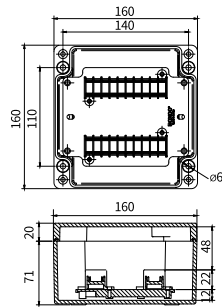
ALS- 20P- 122208



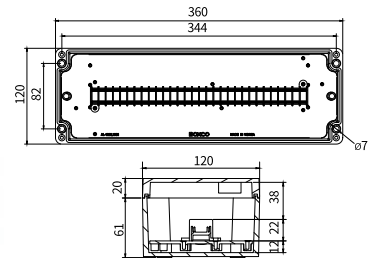
ALS- 20P- 122209



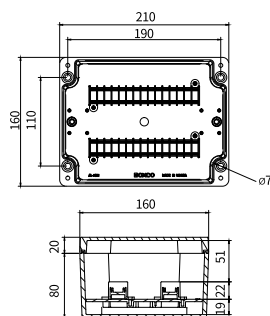
ALS- 20P- 161609



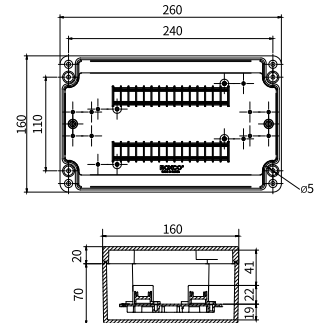
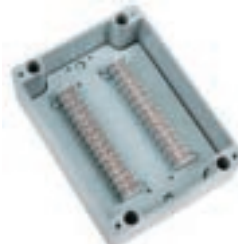
ALS- 30P- 123608



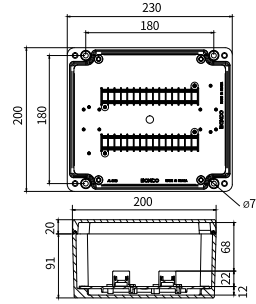
ALS- 30P- 162110



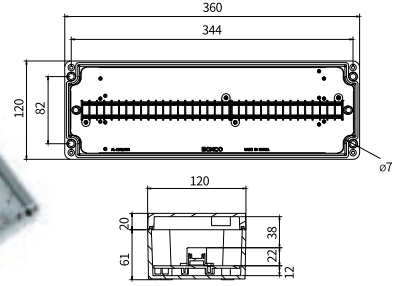
ALS- 30P- 162609



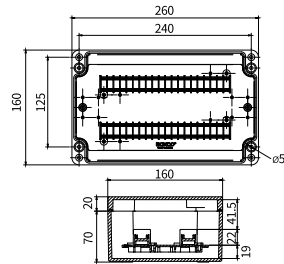
ALS- 30P- 232011



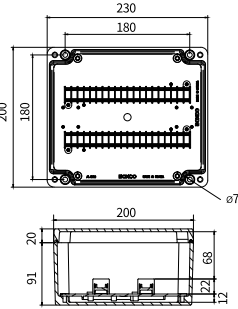
ALS- 35P- 123608



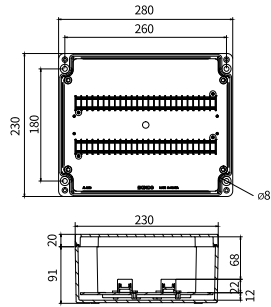
ALS- 40P- 162609



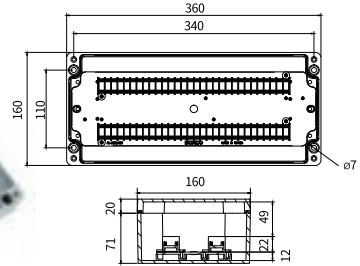
ALS- 40P- 232011



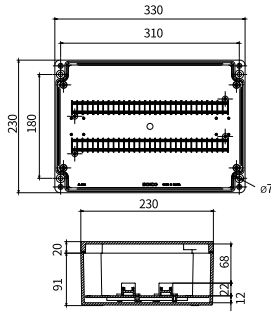
ALS- 50P- 232811



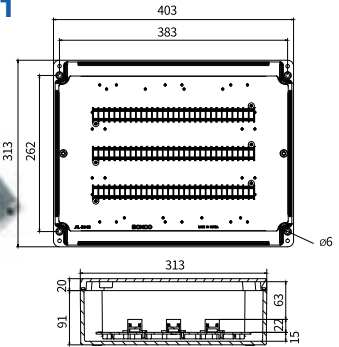
ALS- 60P- 163609



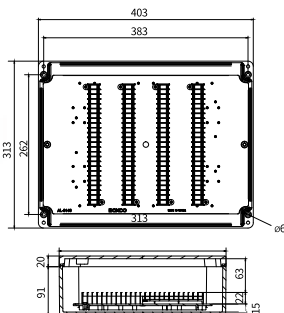
ALS- 60P- 233311



ALS- 90P- 314011



ALS- 100P- 314011



Aluminum Terminal Block Box - AL Series

5P -50P

Feature

- Screw type, RAL7001

Specification

- IP Rating | IP66/67
- IK Rating | IK08
- Rated Insulation Voltage | 400V
- Rated Current Capacity | 0.75mm² - 15mm²
- Certification | TUV, CE

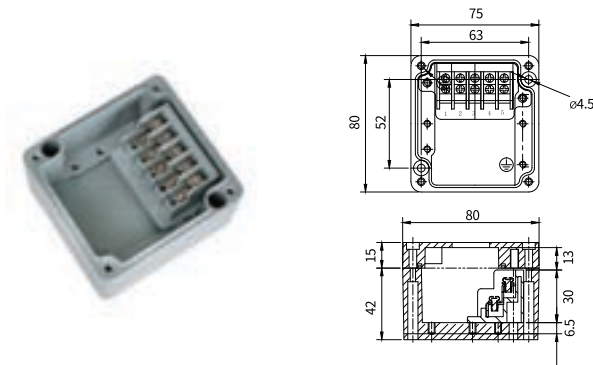
Stair type

80x75x57 - 160x260x90mm

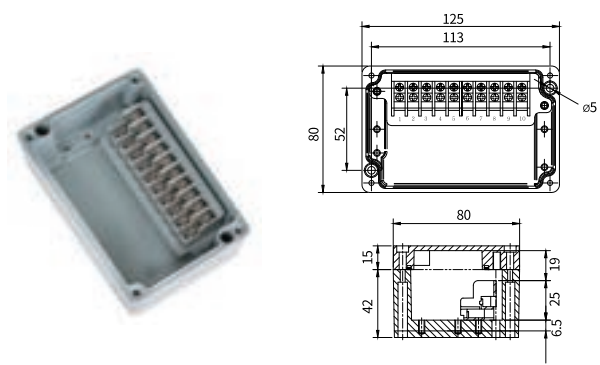
Product model	Size (W1xL1xH1/mm)
BC- AL- 5PT	80 x 75 x 57
BC- AL- 10PT	80 x 125 x 58
BC- AL- 15PT	100 x 160 x 80
BC- AL- 20PT	120 x 220 x 80
BC- AL- 20PAS	150 x 132 x 90
BC- AL- 20PA	160 x 160 x 90
BC- AL- 25PT	160 x 260 x 90
BC- AL- 30PAS	120 x 220 x 80
BC- AL- 30PA	180 x 180 x 100
BC- AL- 40PA	160 x 260 x 90
BC- AL- 50PA	160 x 260 x 90



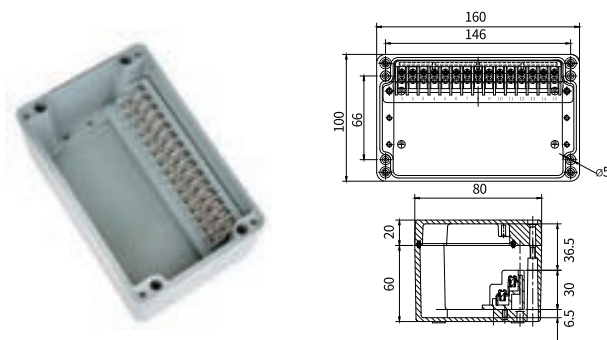
AL- 5PT



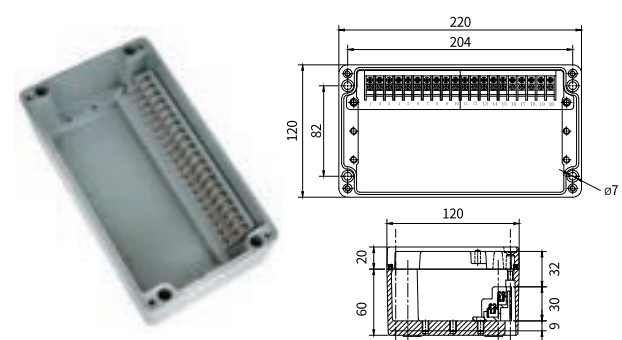
AL- 10PT



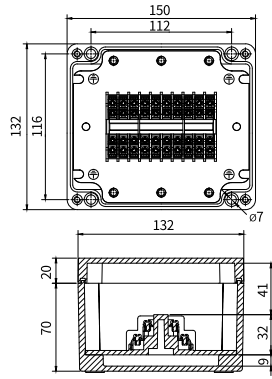
AL- 15PT



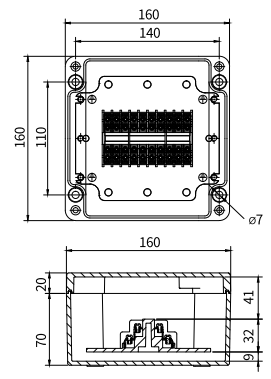
AL- 20PT



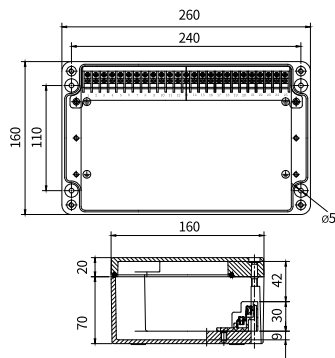
AL- 20PAS



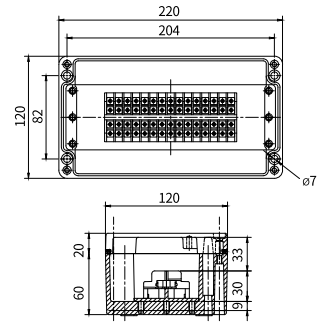
AL- 20PA



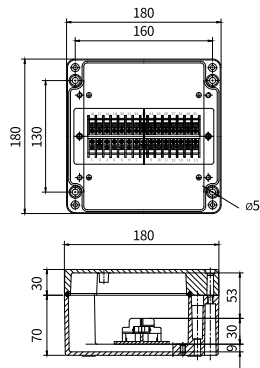
AL- 25PT



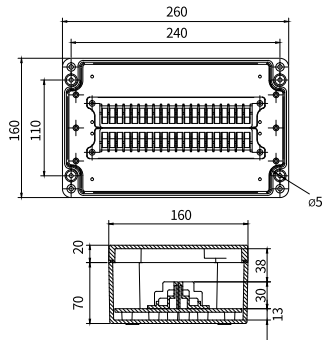
AL- 30PAS



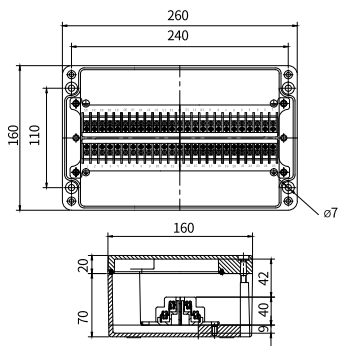
AL- 30PA



AL- 40PA



AL- 50PA

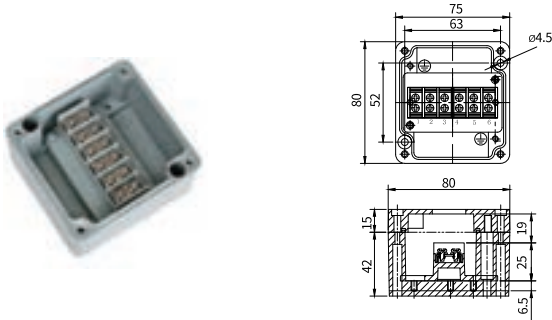


Falt type

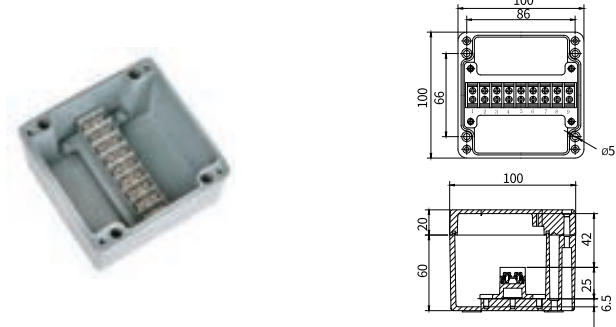
80x75x57 - 230x200x110mm

Product model	Size (W1xL1xH1/mm)
BC-AL-6P	80 x 75 x 57
BC-AL-9P	100 x 100 x 80
BC-AL-15P	100 x 160 x 80
BC-AL-20P	120 x 220 x 80
BC-AL-20P2	160 x 160 x 90
BC-AL-30P2	230 x 200 x 110
BC-AL-40P2	160 x 260 x 90
BC-AL-45P3	230 x 200 x 110

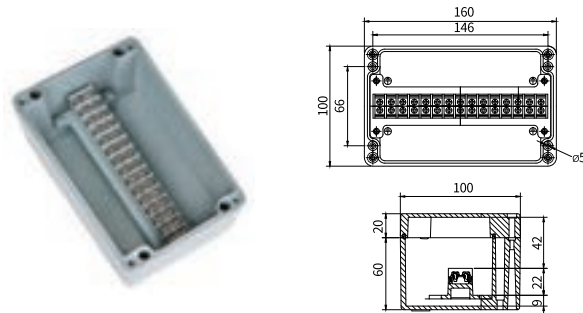
AL- 6P



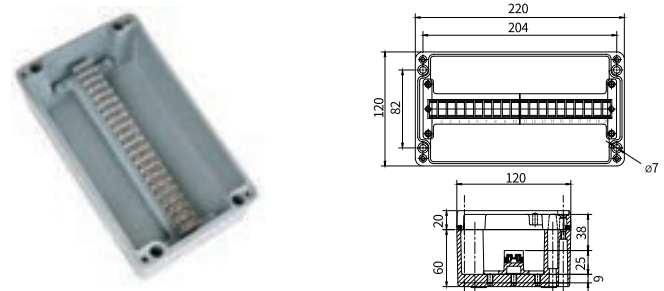
AL- 9P



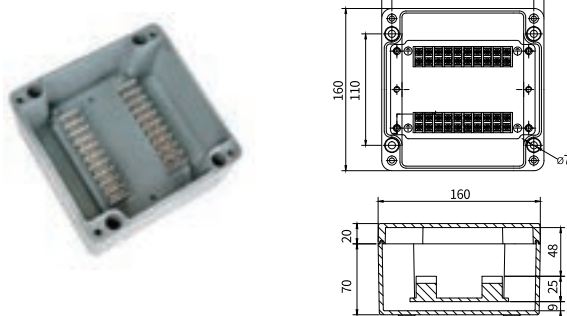
AL- 15P



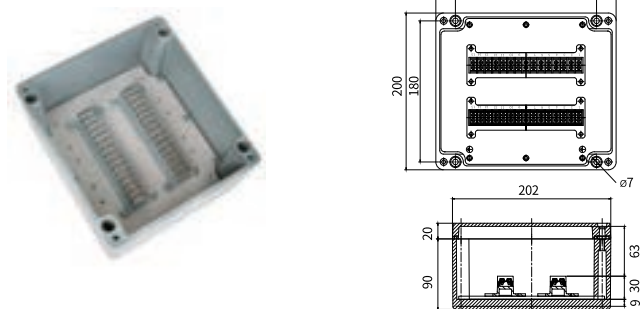
AL- 20P



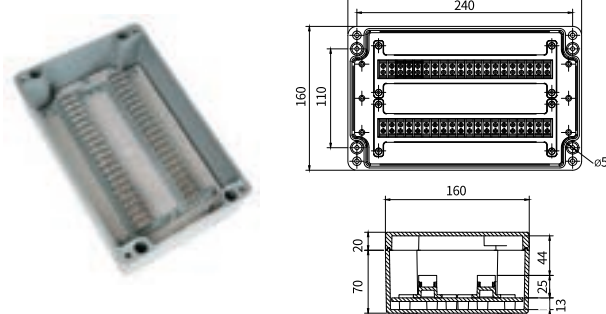
AL- 20P2



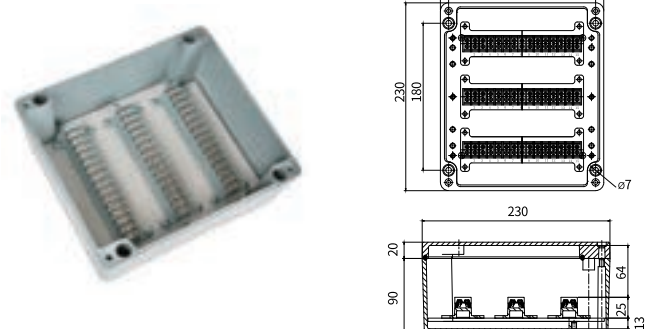
AL- 30P2



AL- 40P2



AL- 45P3

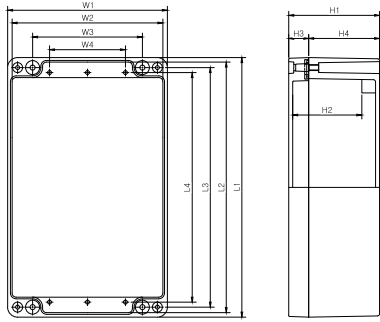


Aluminum S Box

60x70x50 - 125x190x80mm

Feature

- Screw type, RAL7001

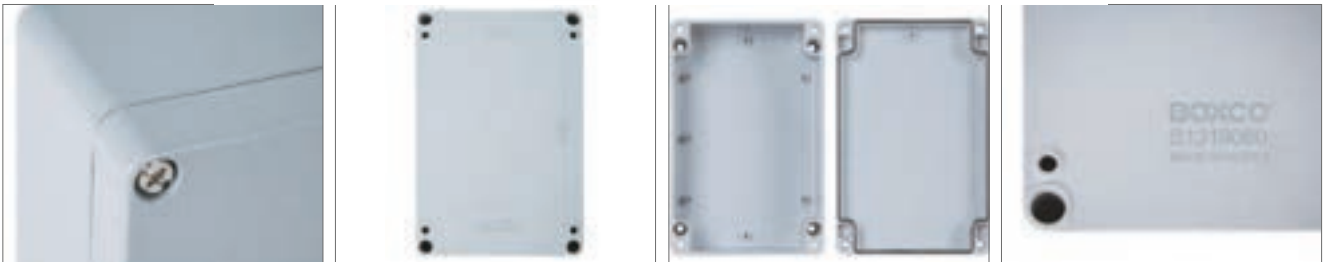


Aluminum Box model name

BOXCO ① - ② - ③ ④

BC - AL - **06 07 05**

- ① Material - Aluminum diecasting
- ② Width(W)
- ③ Length(L)
- ④ Height(H) - Cover Included



Product model					Mounting plate
Model	Outside dimension			Inside dimension	Steel
	Size (W1xL1xH1/mm)	Cover (H3/mm)	Base (H4/mm)	Size (W2xL2xH2/m m)	
BC-ALS-060705	60 x 70 x 50	9	41	42 x 62 x 45	0607 SA
BC-ALS-071006	70 x 100 x 55	9	46	62 x 92 x 50	0710 SA
BC-ALS-071306	70 x 128 x 55	9	46	62 x 120 x 50	0713 SA
BC-ALS-071706	70 x 171 x 55	9	46	62 x 163 x 50	0717 SA
BC-ALS-082308	80 x 230 x 80	20	60	71 x 222 x 75	0823 SA
BC-ALS-111106	110 x 110 x 55	9	46	98 x 98 x 50	1111 SA
BC-ALS-131507	125 x 150 x 65	10	55	116 x 141 x 60	1315 SA
BC-ALS-131908	125 x 190 x 80	20	60	118 x 183 x 74	1319 SA

Aluminum Box

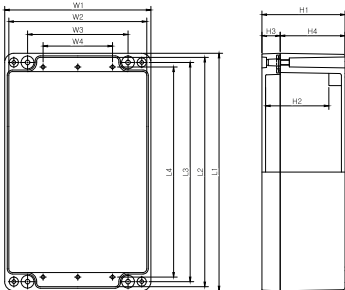
45x50x32 - 313x404x181mm

Feature

- Screw type, RAL700

Specification

- IP Rating | IP66/67
- IK Rating | IK08
- Certification | TUV, CE



Product model					Mounting plate
Model	Outside dimension			Inside dimension	Steel
	Size (W1xL1xH1/mm)	Cover (H3/mm)	Base (H4/mm)	Size (W2xL2xH2/mm)	
BC-AL-050503	45 x 50 x 32	7	25	41 x 46 x 26.5	-
BC-AL-060603	64 x 58 x 34	9	25	58 x 52 x 29	-
BC-AL-060605	64 x 58 x 46	9	37	58 x 52 x 41	-
BC-AL-061003	64 x 98 x 34	9	25	58 x 92 x 28.5	-
BC-AL-061005	64 x 98 x 46	9	37	58 x 92 x 40.5	-
BC-AL-061503	64 x 150 x 34	9	25	58 x 144 x 28.5	-
BC-AL-061505	64 x 150 x 46	9	37	58 x 144 x 40.5	-
BC-AL-080806	80 x 75 x 57	15	42	72 x 67 x 49	0808 A
BC-AL-080807	80 x 75 x 70	15	55	72 x 67 x 62	0808 A
BC-AL-081306	80 x 125 x 58	15	42	72 x 117 x 50	0813 A
BC-AL-081307	80 x 125 x 70	15	55	72 x 117 x 63	0813 A
BC-AL-081806	80 x 175 x 60	15	42	72 x 167 x 50.5	0818 A
BC-AL-081807	80 x 175 x 70	15	55	72 x 167 x 63	0818 A
BC-AL-082506	80 x 250 x 57	15	42	70 x 240 x 50	0825 A
BC-AL-082507	80 x 250 x 70	15	55	70 x 240 x 63	0825 A
BC-AL-101008	100 x 100 x 81	20	61	91 x 91 x 74	1010 A
BC-AL-101608	100 x 160 x 80	20	61	91 x 151 x 74	1016 A
BC-AL-121208	120 x 122 x 81	20	61	111 x 113 x 74	1212 A
BC-AL-122208	120 x 220 x 81	20	61	111 x 211 x 74	1222 A
BC-AL-122209	120 x 220 x 91	30	61	111 x 211 x 82	1222 A
BC-AL-123608	120 x 360 x 81	20	61	111 x 351 x 72	1236 A
BC-AL-142208	140 x 220 x 80	20	60	125 x 206 x 73	1422 A
BC-AL-151309	150 x 132 x 90	20	71	141 x 123 x 82	1513 A
BC-AL-161609	160 x 260 x 91	20	71	151 x 251 x 82	1616 A
BC-AL-162110	160 x 210 x 100	20	80	150 x 200 x 92	1621 A
BC-AL-162609	160 x 260 x 90	20	71	151 x 251 x 82	1626 A
BC-AL-163609	160 x 360 x 91	20	71	149 x 349 x 83	1636 A
BC-AL-181810	180 x 180 x 101	30	71	171 x 171 x 92	1818 A
BC-AL-232011	230 x 200 x 111	20	91	220 x 189 x 102	2320 A
BC-AL-232018	230 x 200 x 180	20	160	220 x 189 x 167	2320 A
BC-AL-232811	230 x 280 x 111	20	91	220 x 270 x 102	2328 A
BC-AL-233311	230 x 330 x 110	20	91	220 x 320 x 102	2333 A
BC-AL-234011	230 x 400 x 111	20	91	213 x 383 x 102	2340 A
BC-AL-314011	313 x 404 x 111	20	91	303 x 394 x 102	3140 A
BC-AL-314018	313 x 404 x 181	20	161	303 x 394 x 167	3140 A

Aluminum Push Button Box

HOLE : $\varnothing 22$, $\varnothing 25$, $\varnothing 30$ (1-4 Hole)

Feature

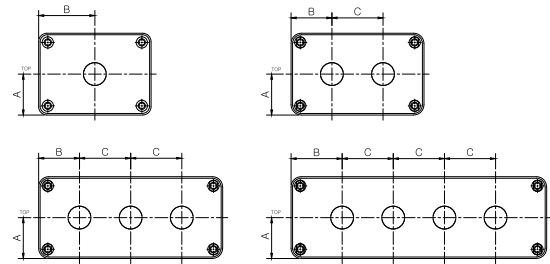
- Screw type, RAL700
- This series has a pre-cut hole on the cover



Push Button Hole



Push Button Hole Spacing



Model	Hole	A	B	C
BC-AL-08080□□□01	1-Hole	37.5	40	-
BC-AL-08130□□□02	2-Hole	40	38	50
BC-AL-08180□□□03	3-Hole	40	38	50
BC-AL-08250□□□04	4-Hole	40	50	50

Push Button Box model name

BOXCO

1
2
3
4
Ø
5

BC - AL - 08 08 06 -

- ① Material - Aluminum diecasting
- ② Width(W)
- ③ Length(L)
- ④ Height(H)
- ⑤ Hole

Product model						
Model	Ø	Hole	Outside dimension			Inside depth(mm)
			Size (W1xL1xH1/mm)	Cover (H3/mm)	Base (H4/mm)	
BC-AL-080806-2201	Ø22	1 HOLE	80 x 75 x 57	15	42	49
BC-AL-080807-2201			80 x 75 x 70	15	55	62
BC-AL-081306-2202		2 HOLE	80 x 125 x 58	15	42	50
BC-AL-081307-2202			80 x 125 x 70	15	55	63
BC-AL-081806-2203		3 HOLE	80 x 175 x 57	15	42	51
BC-AL-081807-2203			80 x 175 x 70	15	55	63
BC-AL-082506-2204		4 HOLE	80 x 250 x 57	15	42	50
BC-AL-082507-2204			80 x 250 x 70	15	55	63
BC-AL-080806-2501	Ø25	1 HOLE	80 x 75 x 57	15	42	49
BC-AL-080807-2501			80 x 75 x 70	15	55	62
BC-AL-081306-2502		2 HOLE	80 x 125 x 58	15	42	50
BC-AL-081307-2502			80 x 125 x 70	15	55	63
BC-AL-081806-2503		3 HOLE	80 x 175 x 57	15	42	51
BC-AL-081807-2503			80 x 175 x 70	15	55	63
BC-AL-082506-2504		4 HOLE	80 x 250 x 57	15	42	50
BC-AL-082507-2504			80 x 250 x 70	15	55	63
BC-AL-080806-3001	Ø30	1 HOLE	80 x 75 x 57	15	42	49
BC-AL-080807-3001			80 x 75 x 70	15	55	62
BC-AL-081306-3002		2 HOLE	80 x 125 x 58	15	42	50
BC-AL-081307-3002			80 x 125 x 70	15	55	63
BC-AL-081806-3003		3 HOLE	80 x 175 x 57	15	42	51
BC-AL-081807-3003			80 x 175 x 70	15	55	63
BC-AL-082506-3004		4 HOLE	80 x 250 x 57	15	42	50
BC-AL-082507-3004			80 x 250 x 70	15	55	63

PF Dual Door

P, H Series only

PF Dual Door

200x300x130 - 530x630x255mm



Assembly of dual door kits



- ① Dual door aluminium plate
- ② Dual door (Frame, support hinge, handle incl.)
- ①+② Dual door set

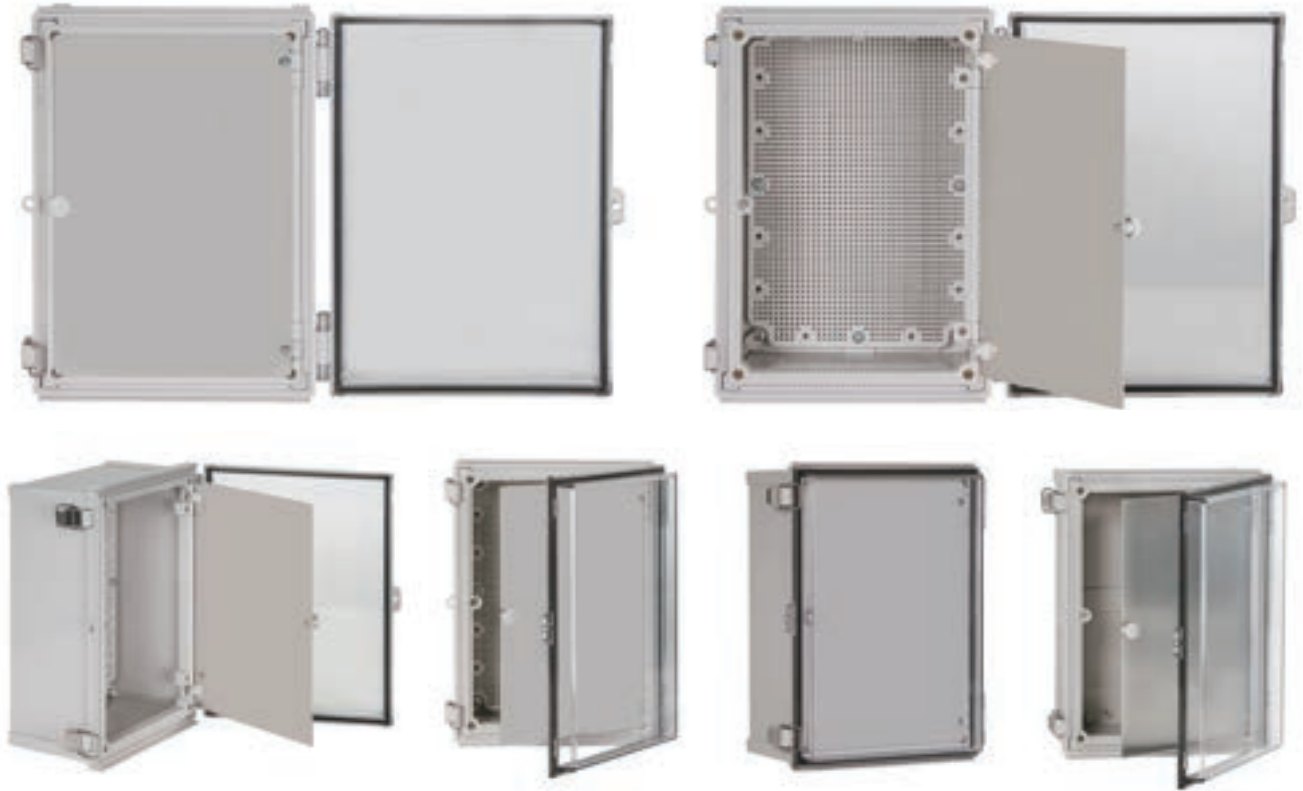
Dual door applicable model		Product model		
Model	Outside dimension	Dual door	Dual door aluminium plate	Dual door set
	Size (W1xL1xH1/mm)			
BC-□□P-203013	200 x 300 x 130	BC-PF203013	BC-PFA2030	BC-PFA203013
BC-□□P-203015	200 x 300 x 150	BC-PF203015	BC-PFA2030	BC-PFA203015
BC-□□P-203018	200 x 300 x 180	BC-PF203018	BC-PFA2030	BC-PFA203018
BC-□□P-253515	250 x 350 x 150	BC-PF253515	BC-PFA2535	BC-PFA253515
BC-□□P-253516	250 x 350 x 180	BC-PF253518	BC-PFA2535	BC-PFA253518
BC-□□P-282813	280 x 280 x 130	BC-PF282813	BC-PFA2828	BC-PFA282813
BC-□□P-283813	280 x 380 x 130	BC-PF283813	BC-PFA2838	BC-PFA283813
BC-□□P-303015	300 x 300 x 150	BC-PF303015	BC-PFA3030	BC-PFA303015
BC-□□P-303018	300 x 300 x 180	BC-PF303018	BC-PFA3030	BC-PFA303018
BC-□□P-304015	300 x 400 x 150	BC-PF304015	BC-PFA3040	BC-PFA304015
BC-□□P-304018	300 x 400 x 180	BC-PF304018	BC-PFA3040	BC-PFA304018
BC-□□P-354516	350 x 450 x 160	BC-PF354516	BC-PFA3545	BC-PFA354516
BC-□□P-354520	350 x 450 x 255	BC-PF354520	BC-PFA3545	BC-PFA354520
BC-□□P-405016	400 x 500 x 160	BC-PF405016	BC-PFA4050	BC-PFA405016
BC-□□P-405020	400 x 500 x 200	BC-PF405020	BC-PFA4050	BC-PFA405020
BC-□□P-406018	400 x 600 x 180	BC-PF406018	BC-PFA4060	BC-PFA406018
BC-□□P-406023	400 x 600 x 230	BC-PF406023	BC-PFA4060	BC-PFA406023
BC-□□P-506018	530 x 630 x 185	BC-PF506018	BC-PFA5060	BC-PFA506018
BC-□□P-506025	530 x 630 x 255	BC-PF506025	BC-PFA5060	BC-PFA506025
BC-□□H-405018	400 x 500 x 200	BC-PF405020	BC-PFA4050	BC-PFA405020
BC-□□H-406023	400 x 600 x 230	BC-PF406023	BC-PFA4060	BC-PFA406023

RF Dual Door

Q, R Series only

RF Dual Door

250x350x160 - 400x500x210mm



Feature

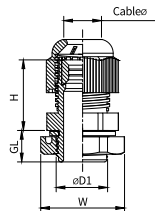
- Dual door is easy to open or close as it will be assembled with handle and hinge type.
- It is very strong as it is fixed with 4 supports and it has good external appearance.

Dual door applicable model	
Model	Outside dimension
	Size (W1xL1xH1/mm)
BC-□□Q-253516	250 x 350 x 160
BC-□□Q-304015	300 x 400 x 150
BC-□□Q-304016	300 x 400 x 160
BC-□□Q-304018	300 x 400 x 180
BC-□□Q-354520	350 x 450 x 200
BC-□□Q-405016	400 x 500 x 160
BC-□□Q-405020	400 x 500 x 200
BC-□□R-253516	250 x 350 x 160
BC-□□R-253518	250 x 350 x 180
BC-□□R-304016	300 x 400 x 160
BC-□□R-304018	300 x 400 x 180
BC-□□R-354517	350 x 450 x 170
BC-□□R-354521	350 x 450 x 210
BC-□□R-405017	400 x 500 x 170
BC-□□R-405021	400 x 500 x 210

Product model		
Dual door	Dual door aluminium plate	Dual door set
BC-RF253516	BC-RFA2535	BC-RFA253516
BC-RF304015	BC-RFA3040	BC-RFA304015
BC-RF304016	BC-RFA3040	BC-RFA304016
BC-RF304018	BC-RFA3040	BC-RFA304018
BC-RF354520	BC-RFA3545	BC-RFA354520
BC-RF405016	BC-RFA4050	BC-RFA405016
BC-RF405020	BC-RFA4050	BC-RFA405020
BC-RF253516	BC-RFA2535	BC-RFA253516
BC-RF253518	BC-RFA2535	BC-RFA253518
BC-RF304016	BC-RFA3040	BC-RFA304016
BC-RF304018	BC-RFA3040	BC-RFA304018
BC-RF354517	BC-RFA3545	BC-RFA354517
BC-RF354521	BC-RFA3545	BC-RFA354521
BC-RF405017	BC-RFA4050	BC-RFA405017
BC-RF405021	BC-RFA4050	BC-RFA405021

Cable Glands, Plug - PG Series

BC-PG CABLE GLAND

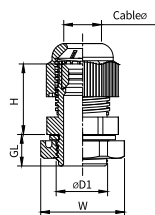


Feature

- Material | PA
- Hermetic seal | NBR
- Washer | NBR
- Color | Grey, Black, Dark grey
- IP Rating | IP67

Product model			Thread	Cable ϕ (mm)	H (mm)	GL (mm)	W (mm)	D1 (mm)
Grey	Dark Grey	Black						
BC-PG7-G	BC-PG7-D	BC-PG7-B	PG7	4-6.5	19	9	16	12.5
BC-PG9-G	BC-PG9-D	BC-PG9-B	PG9	4.5-8.5	24	9	19	15.2
BC-PG11-G	BC-PG11-D	BC-PG11-B	PG11	5-10	25	9	22	18.6
BC-PG13.5-G	BC-PG13.5-D	BC-PG13.5-B	PG11	6-11	27	10	24	20.4
BC-PG16-G	BC-PG16-D	BC-PG16-B	PG16	8-13	29	10	27	22.5
BC-PG19-G	BC-PG19-D	BC-PG19-B	PG19	12-15	30	10	28	24.0
BC-PG21-G	BC-PG21-D	BC-PG21-B	PG21	13-18	35	12	33	28.3
BC-PG25-G	BC-PG25-D	BC-PG25-B	PG25	16-21	33	12	35	30.0
BC-PG29-G	BC-PG29-D	BC-PG29-B	PG29	18-25	41	12	42	37.0
BC-PG36-G	BC-PG36-D	BC-PG36-B	PG36	23-32	47	15	52	47.0
BC-PG42-G	BC-PG42-D	BC-PG42-B	PG42	30-38	50	18	60	54.0
BC-PG48-G	BC-PG48-D	BC-PG48-B	PG48	37-47	54	18	68	59.3
BC-PG63-G	BC-PG63-D	BC-PG63-B	PG63	42-51	59	30	77	70.0

BC-PG-L LONG CABLE GLAND

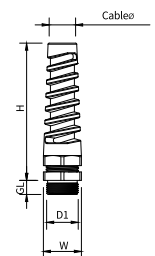


Feature

- Material | PA
- Hermetic seal | NBR
- Washer | NBR
- Color | Grey
- IP Rating | IP67

Product model	Thread	Cable ϕ (mm)	H (mm)	GL (mm)	W (mm)	D1 (mm)
BC-PG7L-G	PG7	4-6.5	19	15	16	12.5
BC-PG9L-G	PG9	4.5-8.5	24	15	19	15.2
BC-PG11L-G	PG11	5-10	25	15	22	18.6
BC-PG13.5L-G	PG13.5	6-11	27	15	24	20.4
BC-PG16L-G	PG16	8-13	29	15	27	22.5
BC-PG21L-G	PG21	13-18	35	15	33	28.3
BC-PG29L-G	PG29	18-25	41	15	42	37
BC-PG36L-G	PG36	23-32	47	18	52	47
BC-PG42L-G	PG42	30-38	50	20	60	54
BC-PG48L-G	PG48	37-44	54	20	68	59.3

BC-BP-PG BEND PROOF CABLE GLAND

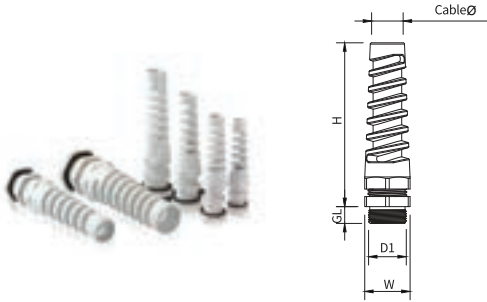


Feature

- Material | PA
- Hermetic seal | NBR
- Washer | NBR
- Color | Grey

Product model	Thread	Cable ϕ (mm)	H (mm)	GL (mm)	W (mm)	D1 (mm)
BC-BP-PG7	PG7	46.5	59	9	16	12.5
BC-BP-PG9	PG9	4.58.5	68	9	19	15.2
BC-BP-PG11	PG11	510	74	9	23	18.6
BC-BP-PG13.5	PG13.5	611	78	10	24	20.4
BC-BP-PG16	PG16	813	82	10	27	22.5
BC-BP-PG21	PG21	1318	104	12	33	28.3

BC-BP-PG L LONG BEND PROOF CABLE GLAND

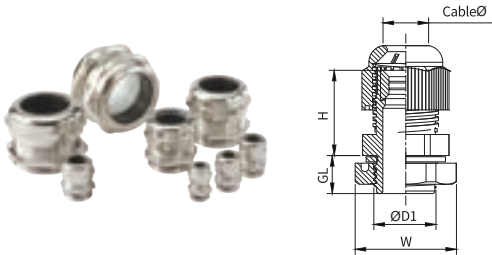


Product model	Thread	Cable ϕ (mm)	H (mm)	GL (mm)	W (mm)	D1 (mm)
Grey						
BC-BP-PG7L-G	PG7	46.5	59	15	16	12.5
BC-BP-PG9L-G	PG9	45.8.5	68	15	19	15.2
BC-BP-PG11L-G	PG11	51.0	74	15	23	18.6
BC-BP-PG13.5L-G	PG13.5	61.1	78	15	24	20.4
BC-BP-PG16L-G	PG16	81.3	82	15	27	22.5
BC-BP-PG21L-G	PG21	131.8	104	15	33	28.3

Feature

- Material | PA
- Hermetic seal | NBR
- Washer | NBR
- Color | Grey

BC-MPG METAL CABLE GLAND

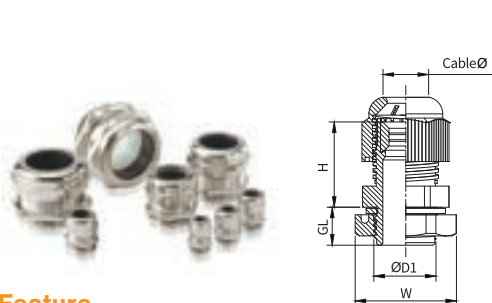


Product model	Thread	Cable ϕ (mm)	H (mm)	GL (mm)	W (mm)	D1 (mm)
BC-MPG7	PG7	47	15	6	14	12.5
BC-MPG9	PG9	58	19	7	18	15.2
BC-MPG11	PG11	61.0	20	8	20	18.6
BC-MPG13.5	PG13.5	61.2	22	9	22	20.4
BC-MPG16	PG16	71.4	21	9	24	22.5
BC-MPG19	PG19	91.6	23.5	9	27	24
BC-MPG21	PG21	131.8	24	9	30	28.3
BC-MPG25	PG25	162.2	27	11	34	32
BC-MPG29	PG29	142.4	31	10	40	37
BC-MPG36	PG36	253.2	35	10	50	47
BC-MPG42	PG42	323.8	36	14	58	54
BC-MPG48	PG48	344.4	39	12	64	59.3
BC-MPG63	PG63	43~54	40	15	76	70

Feature

- Material | Nickel-plated brass
- Fixture pack | PA
- Hermetic seal | NBR
- O-Ring | NBR
- IP Rating | IP67

BC-MPG-L LONG METAL CABLE GLAND

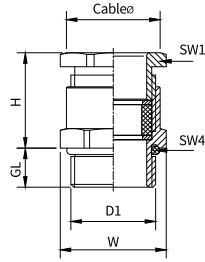


Product model	Thread	Cable ϕ (mm)	H (mm)	GL (mm)	W (mm)	D1 (mm)
BC-MPG7L	PG7	47	15	10	14	12.5
BC-MPG9L	PG9	58	19	10	18	15.2
BC-MPG11L	PG11	61.0	20	10	20	18.6
BC-MPG13.5L	PG13.5	61.2	22	10	22	20.4
BC-MPG16L	PG16	71.4	21	10	24	22.5
BC-MPG19L	PG19	91.6	23.5	12	27	24
BC-MPG21L	PG21	131.8	24	12	30	28.3
BC-MPG25-L	PG25	162.2	27	12	34	32
BC-MPG29-L	PG29	142.4	31	12	40	37
BC-MPG36L	PG36	253.2	35	12	50	47
BC-MPG42L	PG42	323.8	36	15	58	54
BC-MPG48L	PG48	344.4	39	15	64	59.3

Feature

- Material | Nickel-plated brass
- Fixture pack | PA
- Hermetic seal | NBR
- O-Ring | NBR
- IP Rating | IP66/67

BC-PKM-P PKM METAL CABLE GLAND

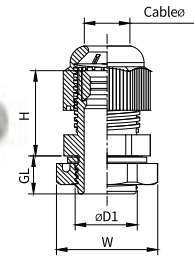


Product model	Thread	Cable \varnothing (mm)	H (mm)	GL (mm)	W (mm)	D1 (mm)
BC-PKM-P7	PG7	68	16.1	6	15	12.5
BC-PKM-P9	PG9	810	17	7	17	15.2
BC-PKM-P11	PG11	1012	18	7	20	18.6
BC-PKM-P13.5	PG13.5	1214	19.5	7	24	20.4

Feature

- Material | Nickel-plated brass
- Hermetic seal | Modified rubber
- IP Rating | IP66

BC-HSK-EX-P EX PLASTIC CABLE GLAND

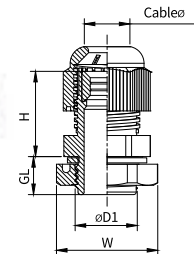


Product model	Thread	Cable \varnothing (mm)	H (mm)	GL (mm)	W (mm)	D1 (mm)
BC-MPG7	PG7	47	15	6	14	12.5
BC-MPG9	PG9	58	19	7	18	15.2
BC-MPG11	PG11	610	20	8	20	18.6
BC-MPG13.5	PG13.5	612	22	9	22	20.4
BC-MPG16	PG16	714	21	9	24	22.5
BC-MPG19	PG19	916	23.5	9	27	24
BC-MPG21	PG21	1318	24	9	30	28.3
BC-MPG25	PG25	1622	27	11	34	32
BC-MPG29	PG29	1424	31	10	40	37
BC-MPG36	PG36	2532	35	10	50	47
BC-MPG42	PG42	3238	36	14	58	54
BC-MPG48	PG48	3444	39	12	64	59.3
BC-MPG63	PG63	43~54	40	15	76	70

Feature

- Material | PA6
- Hermetic seal | Modified rubber
- Washer | Modified rubber
- Color | Grey
- IP Rating | IP68

BC-HSM-EX-P EX METAL CABLE GLAND

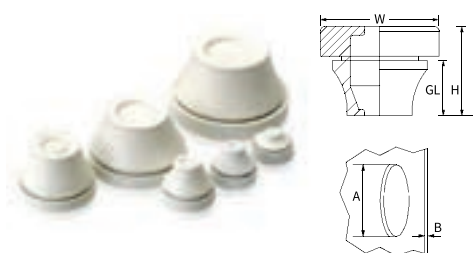


Product model	Thread	Cable \varnothing (mm)	H (mm)	GL (mm)	W (mm)	D1 (mm)
BC-MPG7L	PG7	47	15	10	14	12.5
BC-MPG9L	PG9	58	19	10	18	15.2
BC-MPG11L	PG11	610	20	10	20	18.6
BC-MPG13.5L	PG13.5	612	22	10	22	20.4
BC-MPG16L	PG16	714	21	10	24	22.5
BC-MPG19L	PG19	916	23.5	12	27	24
BC-MPG21L	PG21	1318	24	12	30	28.3
BC-MPG25-L	PG25	1622	27	12	34	32
BC-MPG29-L	PG29	1424	31	12	40	37
BC-MPG36L	PG36	2532	35	12	50	47
BC-MPG42L	PG42	3238	36	15	58	54
BC-MPG48L	PG48	3444	39	15	64	59.3

Feature

- Material | Nickel-plated brass
- Fixture pack | PA
- Hermetic seal | Modified rubber
- O-Ring | Modified rubber
- IP Rating | IP68

BC-RG-PG RUBBER GROMMET



Feature

- Material | EPDM
- IP Rating | IP67

Product model	Thread	Cable \varnothing (mm)	A (mm)	B (mm)	H (mm)	GL (mm)	W (mm)
BC-RG-PG7	PG7	35	13	0.52	12.6	5.4	20
BC-RG-PG9	PG9	57	16	14	17.8	10.3	21
BC-RG-PG11	PG11	710	19	14	19.8	12.7	24
BC-RG-PG16	PG16	1014	23	14	21.6	14.7	28
BC-RG-PG21	PG21	1420	29	14	24.6	17.6	35
BC-RG-PG29	PG29	2026	38	14	28.5	20	46
BC-RG-PG36	PG36	26~35	48	1~4	34.9	23.9	58

BC-SP-PG NYLON SCREW PLUG

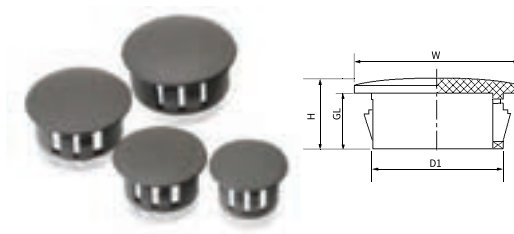


Feature

- Material | PA

Product model	Thread	H (mm)	GL (mm)	W (mm)	D1 (mm)
BC-SP-PG7	PG7	12	9	16	12.5
BC-SP-PG9	PG9	12	9	19	15.2
BC-SP-PG11	PG11	12	9	22	18.6
BC-SP-PG13.5	PG13.5	14.5	11	25	20.4
BC-SP-PG16	PG16	14.5	11	27	22.5
BC-SP-PG21	PG21	14.5	11	33	28.3
BC-SP-PG29	PG29	16	12	44	37
BC-SP-PG36	PG36	17	12	55	47
BC-SP-PG42	PG42	17	12	62	54
BC-SP-PG48	PG48	17	12	69	59.3

BC-HP HOLE PLUG

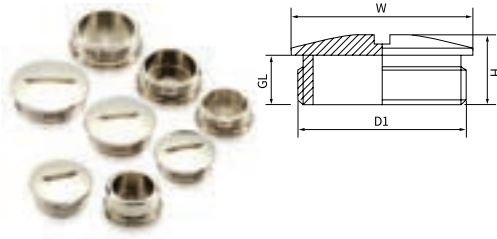


Feature

- Material | PA

Product model	H (mm)	GL (mm)	W (mm)	D1 (mm)
BC-HP-8	8	6.4	11.9	7.8
BC-HP-10	10.5	8.9	13	9.5
BC-HP-13	10.5	8.9	16.9	12.7
BC-HP-16	10.5	8.9	19.8	15.9
BC-HP-19	10.5	8.9	22.9	19
BC-HP-22	11.5	9.9	24.9	22.2
BC-HP-26	11.5	9.9	28.3	25.5
BC-HP-30	11.5	9.9	34.2	30

BC-MSP-PG METAL SCREW PLUG



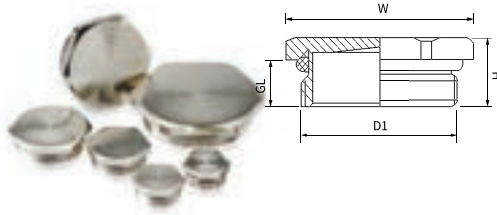
Feature

- Material | Nickel-plated brass

Product model	Thread	H (mm)	GL (mm)	W (mm)	D1 (mm)
BC-MSP-PG7	PG7	8	5	14	12.5
BC-MSP-PG9	PG9	9	6	17	15.2
BC-MSP-PG11	PG11	9	6	21	18.6
BC-MSP-PG13.5	PG13.5	10	7	23	20.4
BC-MSP-PG16	PG16	10	7	25	22.5
BC-MSP-PG19	PG19	10.5	7	26	26.2
BC-MSP-PG21	PG21	11	7	31	28.3
BC-MSP-PG25	PG25	11	7	32.5	30
BC-MSP-PG29	PG29	13	9.5	40	36.5
BC-MSP-PG36	PG36	14	9.5	50	46.6
BC-MSP-PG42	PG42	15	9.5	57	53.5
BC-MSP-PG48	PG48	15	10	64	59.1

※ Nut is not included

BC-DPM-P METAL HEXAGON PLUG

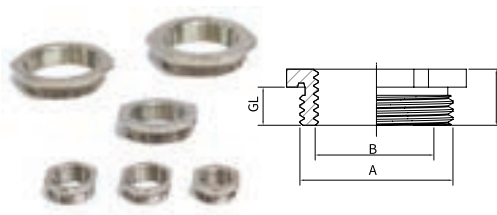


Feature

- Material | Nickel-plated brass

Product model	Thread	H (mm)	GL (mm)	W (mm)
BC-DPM-P7	PG7	8	5	14
BC-DPM-P9	PG9	9	6	17
BC-DPM-P11	PG11	9	6	20
BC-DPM-P13.5	PG13.5	9.5	6.5	22
BC-DPM-P16	PG16	9.5	6.5	24
BC-DPM-P21	PG21	11	7	30
BC-DPM-P29	PG29	12	8	39
BC-DPM-P36	PG36	15	9	50
BC-DPM-P42	PG42	16	10	57
BC-DPM-P48	PG48	16	10	64

BC-MRH-PG METAL REDUCER



Feature

- Material | Nickel-plated brass

Product model	Thread A	Thread B	H (mm)	GL (mm)
BC-MRH-PG0907	PG9	PG7	9	6
BC-MRH-PG1107	PG11	PG7	9	6
BC-MRH-PG1109	PG11	PG9	9	6
BC-MRH-PG1309	PG13.5	PG9	9.5	6.5
BC-MRH-PG1609	PG16	PG9	9.5	6.5
BC-MRH-PG1611	PG16	PG11	9.5	6.5
BC-MRH-PG1613	PG16	PG13.5	9.5	6.5
BC-MRH-PG2111	PG21	PG11	10.3	7
BC-MRH-PG2113	PG21	PG13.5	10.3	7
BC-MRH-PG2116	PG21	PG16	10.3	7
BC-MRH-PG2916	PG29	PG16	11.5	8
BC-MRH-PG2921	PG29	PG21	11.5	8
BC-MRH-PG3621	PG36	PG21	12.5	9
BC-MRH-PG3629	PG36	PG29	12.5	9
BC-MRH-PG4229	PG42	PG29	13.5	10
BC-MRH-PG4236	PG42	PG36	13.5	10
BC-MRH-PG4836	PG48	PG36	14	10
BC-MRH-PG4842	PG48	PG42	14	10

Nut, Washer, O-Ring - PG Series

Plastic Nut



Feature

- Material | PA
- Color | Grey

Product model	Thread
BC-PG7 Nut	PG7
BC-PG9 Nut	PG9
BC-PG11 Nut	PG11
BC-PG13.5 Nut	PG13.5
BC-PG16 Nut	PG16
BC-PG19 Nut	PG19
BC-PG21 Nut	PG21
BC-PG25 Nut	PG25
BC-PG29 Nut	PG29
BC-PG36 Nut	PG36
BC-PG42 Nut	PG42
BC-PG48 Nut	PG48

Metal Nut



Feature

- Material
Nickel-plated brass

Product model	Thread
BC-MPG7 Nut	PG7
BC-MPG9 Nut	PG9
BC-MPG11 Nut	PG11
BC-MPG13.5 Nut	PG13.5
BC-MPG16 Nut	PG16
BC-MPG19 Nut	PG19
BC-MPG21 Nut	PG21
BC-MPG25 Nut	PG25
BC-MPG29 Nut	PG29
BC-MPG36 Nut	PG36
BC-MPG42 Nut	PG42
BC-MPG48 Nut	PG48

Washer



Feature

- Material | NBR

Product model	Thread
BC-PG7 Washer	PG7
BC-PG9 Washer	PG9
BC-PG11 Washer	PG11
BC-PG13.5 Washer	PG13.5
BC-PG16 Washer	PG16
BC-PG19 Washer	PG19
BC-PG21 Washer	PG21
BC-PG25 Washer	PG25
BC-PG29 Washer	PG29
BC-PG36 Washer	PG36
BC-PG42 Washer	PG42
BC-PG48 Washer	PG48

O-Ring



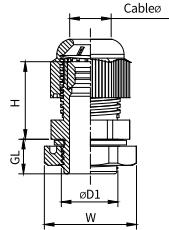
Feature

- Material | NBR

Product model	Thread
BC-MPG7 Oring	PG7
BC-MPG9 Oring	PG9
BC-MPG11 Oring	PG11
BC-MPG13.5 Oring	PG13.5
BC-MPG16 Oring	PG16
BC-MPG19 Oring	PG19
BC-MPG21 Oring	PG21
BC-MPG25 Oring	PG25
BC-MPG29 Oring	PG29
BC-MPG36 Oring	PG36
BC-MPG42 Oring	PG42
BC-MPG48 Oring	PG48

Cable Glands, Plugs - Metric Series

BC-M CABLE GLAND

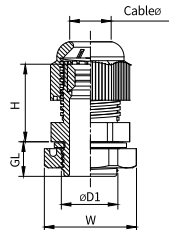


Product model			Thread	Cable ϕ (mm)	H (mm)	GL (mm)	W (mm)	D1 (mm)
Grey	Dark Grey	Black						
BC-M12-G	BC-M12-D	BC-M12-B	M12x1.5	4-6.5	20	9	16	12
BC-M16-G	BC-M16-D	BC-M16-B	M16x1.5	4.5-8.5	24	9	19	16
BC-M18-G	BC-M18-D	BC-M18-B	M18x1.5	5-10	25	9	22	18
BC-M20-G	BC-M20-D	BC-M20-B	M20x1.5	6-11	29	10	24	20
BC-M22-G	BC-M22-D	BC-M22-B	M22x1.5	8-13	29	10	27	22
BC-M24-G	BC-M24-D	BC-M24-B	M24x1.5	12-15	30	10	27	24
BC-M25-G	BC-M25-D	BC-M25-B	M25x1.5	13-18	33	12	33	25
BC-M27-G	BC-M27-D	BC-M27-B	M27x1.5	13-18	35	12	32	27
BC-M30-G	BC-M30-D	BC-M30-B	M30x1.5	16-21	39	12	35	30
BC-M32-G	BC-M32-D	BC-M32-B	M32x1.5	16-21	40	12	36	32
BC-M36-G	BC-M36-D	BC-M36-B	M36x1.5	18-25	41	12	42	36
BC-M40-G	BC-M40-D	BC-M40-B	M40x1.5	20-27	41	15	46	40
BC-M50-G	BC-M50-D	BC-M50-B	M50x1.5	30-38	51	18	60	50
BC-M63-G	BC-M63-D	BC-M63-B	M63x1.5	37-44	54	18	68	63

Feature

- Material | PA
- Hermetic seal | NBR
- Washer | NBR
- Color | Grey, Black, Dark grey
- IP Rating | IP66/67

BC-M-L LONG CABLE GLAND

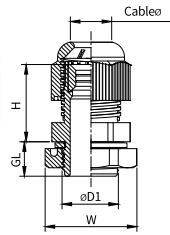


Product model	Thread	Cable ϕ (mm)	H (mm)	GL (mm)	W (mm)	D1 (mm)
Grey						
BC-M12L-G	M12x1.5	4-6.5	20	15	16	12
BC-M16L-G	M16x1.5	4.5-8.5	24	15	19	16
BC-M18L-G	M18x1.5	5-10	31	15	22	18
BC-M20L-G	M20x1.5	6-11	29	15	24	20
BC-M22L-G	M22x1.5	8-13	30	15	27	22
BC-M25L-G	M25x1.5	13-18	33	15	33	25
BC-M32L-G	M32x1.5	16-21	40	15	36	32
BC-M40L-G	M40x1.5	20-27	42	18	46	40
BC-M50L-G	M50x1.5	30-38	50	20	60	50
BC-M63L-G	M63x1.5	37-44	58	20	68	63

Feature

- Material | PA
- Hermetic seal | NBR
- Washer | NBR
- Color | Grey
- IP Rating | IP66/67

BC-H-M MULTI HOLE CABLE GLAND

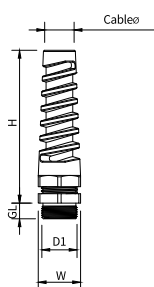


Feature

- Material | PA
- Hermetic seal | NBR
- Washer | NBR
- Color | Black

Product model	Thread	Cable ø(mm)	H (mm)	GL (mm)	Wrench (mm)	D1 (mm)
BC-M-1 Multi Hole						
BC-1H-M12-B	M12x1.5	4.5-8	25	9	19	12
BC-1H-M16-B	M16x1.5	6-10	27	15	22	16
BC-1H-M20-B	M20x1.5	9-14	33	15	27	20
BC-1H-M25-B	M25x1.5	13-18	34	15	33	25
BC-1H-M32-B	M32x1.5	18-25	41	15	42	32
BC-1H-M40-B	M40x1.5	24-32	45	20	52	40
BC-1H-M50-B	M50x1.5	31-41	51	22	62	50
BC-1H-M63-B	M63x1.5	44-51	53	25	75	63
BC-1H-M75-B	M75x2	56-66	56	25	92	75
BC-1H-M90-B	M90x2	66-77	57	25	110	90
BC-M-2 Multi Hole						
BC-2H-M12-B	M12x1.5	1.5-3	25	9	19	12
BC-2H-M16-B	M16x1.5	2-4	27	15	22	16
BC-2H-M20-B	M20x1.5	3-6	33	15	27	20
BC-2H-M25-B	M25x1.5	5-8	34	15	33	25
BC-2H-M32-B	M32x1.5	7-11	41	15	42	32
BC-2H-M40-B	M40x1.5	10-13	45	20	52	40
BC-M-3 Multi Hole						
BC-3H-M12-B	M12x1.5	1.5-2.5	25	9	19	12
BC-3H-M16-B	M16x1.5	2-4	27	15	22	16
BC-3H-M20-B	M20x1.5	3-5	33	15	27	20
BC-3H-M25-B	M25x1.5	4.5-7	34	15	33	25
BC-3H-M32-B	M32x1.5	7-10	41	15	42	32
BC-3H-M40-B	M40x1.5	9-12	45	20	52	40
BC-M-4 Multi Hole						
BC-4H-M12-B	M12x1.5	1.5-2.5	25	9	19	12
BC-4H-M16-B	M16x1.5	1.5-3	27	15	22	16
BC-4H-M20-B	M20x1.5	2.5-4.5	33	15	27	20
BC-4H-M25-B	M25x1.5	4-6	34	15	33	25
BC-4H-M32-B	M32x1.5	8-9	41	15	42	32
BC-4H-M40-B	M40x1.5	8-11	45	20	52	40
BC-M-5 Multi Hole						
BC-5H-M16-B	M16x1.5	1-2.5	27	15	22	16
BC-5H-M20-B	M20x1.5	2-4	33	15	27	20
BC-5H-M25-B	M25x1.5	3.5-5.5	34	15	33	25
BC-5H-M32-B	M32x1.5	5.5-8	41	15	42	32
BC-5H-M40-B	M40x1.5	7-9.5	50	20	52	40
BC-M-6 Multi Hole						
BC-6H-M16-B	M16x1.5	1-2	27	15	22	16
BC-6H-M20-B	M20x1.5	1.5-3	33	15	27	20
BC-6H-M25-B	M25x1.5	2.5-4.5	34	15	33	25
BC-6H-M32-B	M32x1.5	5-7	41	15	42	32
BC-6H-M40-B	M40x1.5	6-8	45	20	52	40

BC-BP-M BEND PROOF CABLE GLAND

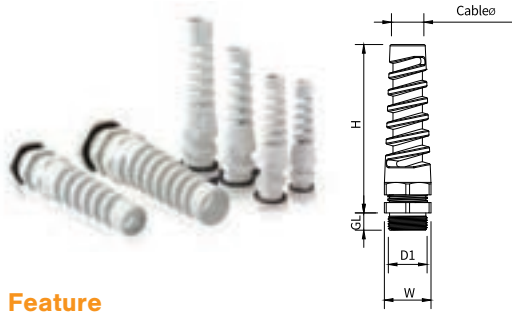


Feature

- Material | PA
- Hermetic seal | NBR
- Washer | NBR
- Color | Grey

Product model	Thread	Cable ø(mm)	H (mm)	GL (mm)	Wrench (mm)	D1 (mm)
BC-BP-M12-G	M12x1.5	4-6.5	60	9	16	12
BC-BP-M16-G	M16x1.5	4.5-8.5	68	9	19	16
BC-BP-M18-G	M18x1.5	5-10	73	9	23	18
BC-BP-M20-G	M20x1.5	6-11	82	10	24	20
BC-BP-M22-G	M22x1.5	8-13	82	10	27	22
BC-BP-M25-G	M25x1.5	13-18	105	12	33	25

BC-BP-M-L LONG BEND PROOF CAB



Feature

- Material | PA
- Hermetic seal | NBR
- Washer | NBR
- Color | Grey

Product model	Thread	Cable \varnothing (mm)	H (mm)	GL (mm)	Wrench (mm)	D1 (mm)
BC-BP-M12L-G	M12x1.5	4-6.5	60	15	16	12
BC-BP-M16L-G	M16x1.5	4.5-8.5	68	15	19	16
BC-BP-M18L-G	M18x1.5	5-10	73	15	23	18
BC-BP-M20L-G	M20x1.5	6-11	82	15	24	20
BC-BP-M22L-G	M22x1.5	8-13	82	15	27	22
BC-BP-M25L-G	M25x1.5	13-18	105	15	33	25

BC-MM METAL CABLE GLAND



Feature

- Material | Nickel-plated brass
- Fixture pack | PA
- Hermetic seal | NBR
- O-Ring | NBR
- IP Rating | IP66/67

Product model	Thread	Cable \varnothing (mm)	H (mm)	GL (mm)	Wrench (mm)	D1 (mm)
BC-MM12	M12x1.5	4-7	15	6	14	12
BC-MM16	M16x1.5	5-8	19	7	18	16
BC-MM18	M18x1.5	6-10	20	8	20	18
BC-MM20	M20x1.5	6-12	22	8	22	20
BC-MM22	M22x1.5	7-14	21	9	24	22
BC-MM24	M24x1.5	7-14	21	9	27	24
BC-MM25	M25x1.5	7-14	21	9	27	25
BC-MM27	M27x1.5	13-18	24	7.5	30	27
BC-MM30	M30x1.5	13-18	23	8	32	30
BC-MM32	M32x1.5	16-22	27	11	34	32
BC-MM36	M36x1.5	14-24	31	10	40	36
BC-MM40	M40x1.5	23-28	30	12	45	40
BC-MM50	M50x1.5	30-38	36	10	58	50
BC-MM63	M63x1.5	34-44	39	13	68	63

BC-MM-L LONG METAL CABLE GLAND

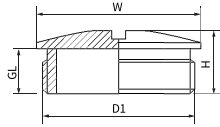


Feature

- Material | Nickel-plated brass
- Fixture pack | PA
- Hermetic seal | NBR
- O-Ring | NBR
- IP Rating | IP66/67

Product model	Thread	Cable \varnothing (mm)	H (mm)	GL (mm)	Wrench (mm)	D1 (mm)
BC-MM12L	M12x1.5	4-7	15	10	14	12
BC-MM16L	M16x1.5	5-8	19	10	18	16
BC-MM18L	M18x1.5	6-10	20	10	20	18
BC-MM20L	M20x1.5	6-12	22	10	22	20
BC-MM22L	M22x1.5	7-14	21	10	24	22
BC-MM24L	M24x1.5	7-14	21	10	27	24
BC-MM25L	M25x1.5	7-14	21	12	27	25
BC-MM27L	M27x1.5	13-18	24	12	30	27
BC-MM30L	M30x1.5	13-18	23	14	32	30
BC-MM32L	M32x1.5	16-22	27	14	34	32
BC-MM36L	M36x1.5	14-24	31	14	40	36
BC-MM40L	M40x1.5	23-28	30	15	45	40
BC-MM50L	M50x1.5	32-38	36	15	58	50
BC-MM63L	M63x1.5	34-44	39	15	68	63

BC-SP-M NYLON SCREW PLUG

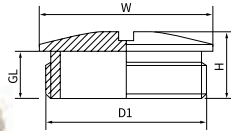


Feature

- Material | PA
- Color | Grey

Product model	Thread	H (mm)	GL (mm)	W (mm)	D1 (mm)
BC-SP-M12	M12x1.5	12	9	16	12
BC-SP-M16	M16x1.5	12	9	20	16
BC-SP-M18	M18x1.5	12	9	22	18
BC-SP-M20	M20x1.5	14.5	11	25	20
BC-SP-M22	M22x1.5	14.5	11	27	22
BC-SP-M24	M24x1.5	14.5	11	30	24
BC-SP-M25	M25x1.5	14.5	11	30	25
BC-SP-M27	M27x1.5	15	11	33	27
BC-SP-M32	M32x1.5	15	11	38	32
BC-SP-M40	M40x1.5	16	12	46	40
BC-SP-M50	M50x1.5	17	12	56	50
BC-SP-M63	M63x1.5	17	12	69	63

BC-MSP-M METAL SCREW PLUG

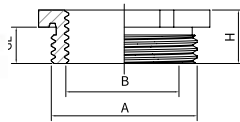


Feature

- Material | Nickel-plated brass

Product model	Thread	H (mm)	GL (mm)	W (mm)	D1 (mm)
BC-MSP-M12	M12x1.5	8	5	14	12
BC-MSP-M16	M16x1.5	9	6	18	16
BC-MSP-M18	M18x1.5	10	6.5	20	17.4
BC-MSP-M20	M20x1.5	10	7	23	20
BC-MSP-M22	M22x1.5	10	7	25	22
BC-MSP-M24	M24x1.5	10	7	27	24
BC-MSP-M25	M25x1.5	10	7	28	25
BC-MSP-M27	M27x1.5	11	7	29.5	27
BC-MSP-M30	M30x1.5	12	8	32.5	30
BC-MSP-M32	M32x1.5	12	8	35	32
BC-MSP-M36	M36x1.5	12	8	38.5	36
BC-MSP-M40	M40x1.5	15	9	44	40
BC-MSP-M50	M50x1.5	16	10	54	50
BC-MSP-M63	M63x1.5	16	10	67	63

BC-MRH-M METAL REDUCER



Feature

- Material | Nickel-plated brass

Product model	Thread A	Thread B	H (mm)	GL (mm)
BC-MRH-M1612	M16x1.5	M12x1.5	8	5
BC-MRH-M2012	M20x1.5	M12x1.5	9	6
BC-MRH-M2016	M20x1.5	M16x1.5	9	6
BC-MRH-M2516	M25x1.5	M16x1.5	10	7
BC-MRH-M2520	M25x1.5	M20x1.5	10	7
BC-MRH-M3216	M32x1.5	M16x1.5	11	8
BC-MRH-M3220	M32x1.5	M20x1.5	11	8
BC-MRH-M3225	M32x1.5	M25x1.5	11	8
BC-MRH-M4020	M40x1.5	M20x1.5	12	8
BC-MRH-M4025	M40x1.5	M25x1.5	12	8
BC-MRH-M4032	M40x1.5	M32x1.5	12	8
BC-MRH-M5025	M50x1.5	M25x1.5	13	9
BC-MRH-M5032	M50x1.5	M32x1.5	13	9
BC-MRH-M5040	M50x1.5	M40x1.5	13	9
BC-MRH-M6332	M63x1.5	M32x1.5	14	10
BC-MRH-M6340	M63x1.5	M40x1.5	14	10
BC-MRH-M6350	M63x1.5	M50x1.5	14	10

Nut, Washer, O-Ring - Metric Series

Plastic Nut



Feature

- Material | PA
- Color | Grey

Product model	Thread
BC-M12 Nut	M12x1.5
BC-M16 Nut	M16x1.5
BC-M18 Nut	M18x1.5
BC-M20 Nut	M20x1.5
BC-M22 Nut	M22x1.5
BC-M24 Nut	M24x1.5
BC-M25 Nut	M25x1.5
BC-M27 Nut	M27x1.5
BC-M32 Nut	M32x1.5
BC-M36 Nut	M36x1.5
BC-M40 Nut	M40x1.5
BC-M50 Nut	M50x1.5
BC-M63 nut	M63x1.5

Metal Nut



Feature

- Material
Nickel-plated brass

Product model	Thread
BC-MM12 Nut	M12x1.5
BC-MM16 Nut	M16x1.5
BC-MM18 Nut	M18x1.5
BC-MM20 Nut	M20x1.5
BC-MM22 Nut	M22x1.5
BC-MM24 Nut	M24x1.5
BC-MM25 Nut	M25x1.5
BC-MM27 Nut	M27x1.5
BC-MM30 Nut	M30x1.5
BC-MM32 Nut	M32x1.5
BC-MM36 Nut	M36x1.5
BC-MM40 Nut	M40x1.5
BC-MM50 Nut	M50x1.5
BC-MM63 Nut	M63x1.5

Washer



Feature

- Material | NBR

Product model	Thread
BC-M12 Washer	M12
BC-M16 Washer	M16
BC-M18 Washer	M18
BC-M20 Washer	M20
BC-M22 Washer	M22
BC-M24 Washer	M24
BC-M25 Washer	M25
BC-M27 Washer	M27
BC-M32 Washer	M32
BC-M36 Washer	M36
BC-M40 Washer	M40
BC-M50 Washer	M50
BC-M63 Washer	M63

O-Ring



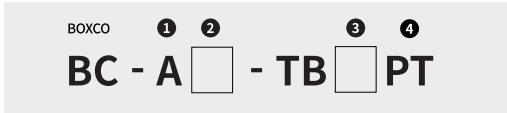
Feature

- Material | NBR

Product model	Thread
BC-MM12 Oring	M12
BC-MM16 Oring	M16
BC-MM18 Oring	M18
BC-MM20 Oring	M20
BC-MM22 Oring	M22
BC-MM24 Oring	M24
BC-MM25 Oring	M25
BC-MM27 Oring	M27
BC-MM30 Oring	M30
BC-MM32 Oring	M32
BC-MM36 Oring	M36
BC-MM40 Oring	M40
BC-MM50 Oring	M50
BC-MM63 Oring	M63

Terminal Block, Jumper Bar

Terminal Block model name



Specification

- Rated Insulation Voltage | 400V
- Rated Current Capacity | 1.0mm²

- ① Material - A: ABS
- ② Cover - G: Grey / T: Transparent / B: Grayish blue
- ③ Number of poles
- ④ PT: Stair type / P: Flat type

Stair type



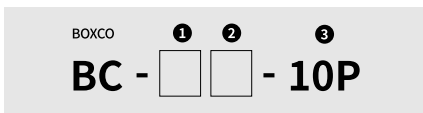
Product model	Model size	
	Pitch	Size (W1xL1xH1/mm)
BC-A-TB4PT	8.7	56 x 23 x 25
BC-A-TB6PT	8.7	73 x 23 x 25
BC-A-TB10PT	8.7	115 x 23 x 25
BC-A-TB15PT	8.7	165 x 23 x 25
BC-A-TB20PT	8.7	196 x 23 x 25
BC-A-TB25PT	8.7	240 x 23 x 25
BC-A-TB30PT	8.7	283 x 23 x 25

Flat type



Product model	Model size	
	Pitch	Size (W1xL1xH1/mm)
BC-A-TB4P	9	38 x 40 x 22
BC-A-TB6P	9	56 x 40 x 22
BC-A-TB10P	9	92 x 40 x 22
BC-A-TB15P	9	137 x 40 x 22
BC-A-TB20P	9	182 x 40 x 22
BC-A-TB25P	9	227 x 40 x 22
BC-A-TB30P	9	272 x 40 x 22

Jumper Bar model name



Specification

- Rated Insulation Voltage | 400V
- Rated Current | 25A

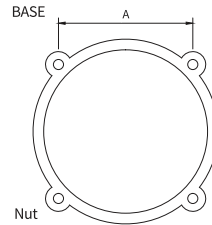
- ① Type - S: Stair / F: Flat / A: Aluminum
- ② Color - Y: Yellow / R: Red / B: Blue / K: Black
- ③ Number of poles



Product model	Pitch(mm)
BC-S-10P	8.7
BC-F-10P	9
BC-A-10P	8.2

Accessories

Vent



Feature

- It is easy to exhaust heat of inside box to outside
- It is easy to install cooling pan inside the box

Model No.	Material	Thread Dimension (A) (mm)	Clamping range(mm)	Fan size(Ø) (mm)
BC-AG-V60	ABS	50 ± 0.3	63 ~ 65	60
BC-AG-V80	ABS	71.5 ± 0.3	88 ~ 90	80
BC-CG-V60	PC	50 ± 0.3	63 ~ 65	60
BC-CG-V80	PC	71.5 ± 0.3	88 ~ 90	80

※ Material of nut for BC-CG-V60/80 is ABS

Draw Latch

Material: SUS 304



Small size
S/H0811 ~ 1919

BC-L55



Medium
S/H1928 ~ 3040

BC-L65



Medium and large
H3545 ~ 4060

BC-L75

Hinge

Material: SUS 304



Small size
S/H0811 ~ 1919

BC-H55



Medium
S/H1928 ~ 3040

BC-H65



Medium and large
H3545 ~ 4060

BC-H75

SUS Bracket

Material: SUS 304



BC-B40



BC-B50



BC-B60

Plastic Bracket

Material: PC



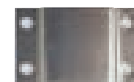
BC-PB40



BC-PB50

Pole Mounting Bracket

Material: SUS 304



BC-PMB



Examples of use

Integral Lock (PC)

Material: SUS 304 (For P Series)



P091207~172711,
P212110, P212113

BC-PSK15-C



P192810~353518

BC-PPK20-C



P354512~406023

BC-PPK35-C



P506018~608028

BC-PPK50-C

Plastic Lock

Material: Polyamide(PA)



BC-PK

Lock

Material: SUS 304 etc.



BC-SK

Key Ring

Material: SUS 304



BC-K40

Plastic Mounting Plate

Material: ABS



G Plate



PG Plate



C Plate



P Plate

Steel Mounting Plate

Material: Steel (Zinc plating)



S Plate



SQ Plate

Dual Door

Material: Aluminum

Material: ABS



FA Plate



Frame, Support, Hinge, Handle

Duct Ring

Material: Steel (Zinc plating)



BC-D25S



BC-D25L



BC-D30S



BC-D30L

Cover Screw

Material: Polyamide(PA) CBG: ABS Color CBB: PC Color



ABS	CBG10+	CBG20-	CBG20+	CBG25+	CBG28-	CBG28+	CBG35+	CBG50+
PC	CBB10+	-	CBB20+	CBB25+	CBB28-	CBB28+	CBB35+	CBB50+

